

Economic entry-level Mini-PC

The Shuttle XPC J4 4100BA is a Mini-PC with Intel Pentium processor with Socket 775. The new J4 front panel comes with a removable acrylic plate which allows to create individual front designs. Uncompromising reliability and maximum compatibility are guaranteed by the G41 Express Chipset. J4 4100BA comes with 2 GB DDR3-1333 memory and one 320GB hard disk. The integrated graphics supports dual monitoring via DVI and VGA outputs.

Shuttle XPC System J4 4100BA



Images for illustration purpose only.

Feature Highlights

J4 chassis	<ul style="list-style-type: none"> Black case, 32.5 x 21.5 x 19 cm LWH Front panel with acrylic plate allows to create individual front design
O.S.	<ul style="list-style-type: none"> Windows 7 Professional (32 Bit) Language: DE, EN, FR, NL, IT or ES
Chipset	<ul style="list-style-type: none"> Intel G41 + ICH7
CPU	<ul style="list-style-type: none"> Intel Pentium Processor E6500 (2.93 GHz) Socket 775, 2MB cache, 1066MHz FSB Intel boxed cooling fan with RPM control
Memory	<ul style="list-style-type: none"> 2 GB DDR3-1333
Graphics	<ul style="list-style-type: none"> Integrated Intel GMA X4500 graphics Video outputs: DVI-D and VGA
Storage	<ul style="list-style-type: none"> DVD multi-format writer 320GB SATA hard disk
Slots	<ul style="list-style-type: none"> 1x PCI-Express x16 1x PCI (32 Bit)
Connectors	<ul style="list-style-type: none"> Video outputs: DVI-D and VGA 5.1-channel HD audio USB 2.0 (2x front, 4x rear, 2x onboard) Gigabit LAN
Power supply	<ul style="list-style-type: none"> 250 Watt mini power supply
Application	<ul style="list-style-type: none"> Basic



4 046047 102334

The configuration of the Shuttle XPC J4 4100BA is only one of several configurations available of the Shuttle XPC J1 4100B series. Please refer to the **Shuttle Systems Configurator** (sys.eu.shuttle.com) to see the full range of other possible built-to-order (BTO) systems.

Product ID: **J4 4100BA**

Order number: **PCT-J4410BA1**

Shuttle XPC J4 4100BA Black Specification

<i>Application</i>	Recommended range of application: Business
<i>Basis</i>	System based on: Shuttle XPC Barebone SG41J4
<i>O.S.</i>	Operating system: Microsoft Windows 7 Professional (32 Bit) 6 languages available: German, English, French, Dutch, Italian, Spanish
<i>Chassis</i>	J4-type chassis made of steel and acrylic front plate, color: black Customize this XPC by inserting your photo behind the acrylic plate Storage bays: 1x 13.5cm (5.25") external, 2x 8.9cm (3.5") internal Dimensions: 32.5 x 21.5 x 19 cm (LWH) = 13.3 liters Weight: 7.0 kg net, 7.5 kg gross 9.2cm rpm-controlled system fan with 4 pin connector Kensington Security Slot at the back panel (also called a K-Slot or Kensington lock) as a part of an anti-theft system
<i>Chipset</i>	Intel G41 Express + ICH7 (TDP: 24W + 3.3W)
<i>BIOS</i>	AMI legacy core SPI interface, 8MB Flash ROM Supports PnP, ACPI 3.0 Supports external USB flash memory card boot up
<i>Processor</i>	Intel® Pentium® Processor E6500 Dual Core, 2 Threads 2.93 GHz clock frequency Socket 775 (LGA775) 2M Cache, 1066 MHz FSB, Bus/Core ratio: 11 45nm process, Max. TDP: 65W Intel boxed cooling fan, rpm-controlled
<i>Memory</i>	2 GB DDR3-1333 memory
<i>Optical drive</i>	Multi-format 5.25" DVD writer
<i>Hard disk</i>	320 GB Serial ATA hard disk
<i>Slots</i>	1 x PCI-Express x16 v1.0 (for graphics cards only) 1 x PCI (32 Bit) If a discrete graphics card is used, the onboard graphics will be deactivated.

<p><i>Integrated Graphics</i></p>	<p>Intel Graphics Media Accelerator X4500 (GMA X4500) Supports Microsoft DirectX 10, Shader Model 4.0 und OpenGL 2.0 Supports Intel Clear Video Technology with ProcAmp color control Maximum DVI resolution: 2048x1536 Max. shared video memory size (UMA): 1759MB *) Dual View: Analog VGA and digital DVI outputs Two video outputs can be used at the same time Supports dual independent display</p>
<p><i>Optional graphics card</i></p>	<p>Discrete ATI or NVIDIA graphics card optional If a discrete graphics card is used, the onboard graphics will be deactivated.</p>
<p><i>5.1-channel Audio</i></p>	<p>Audio Codec: IDT 92HD89C, 5.1 channel Three analog audio connectors (3.5mm) at the Back-Panel: 1) Front Line out (head phone) 2) Rear Surround line-out (shared with microphone input) 3) Center line-out (shared with Line in) Front panel: microphone input and head phone output</p>
<p><i>Gigabit-LAN Controller</i></p>	<p>Marvell 88E8057 Ethernet network controller (Gigabit) Supports 100 / 1.000 MBit/s operation (100Base-TX/1000Base-T) Supports Wake-on-LAN (WOL)</p>
<p><i>Front panel connectors</i></p>	<p>Microphone (3,5 mm) Headphone /Line-out (3,5 mm) 2x USB 2.0 (Hi-Speed) Power button Power on LED (blue) Hard disk read/write LED (orange)</p>
<p><i>Back panel connectors</i></p>	<p>DVI-D output (24 pin, digital) VGA output (D-Sub, analog) 4x USB 2.0 (Hi-Speed) GigaBit LAN (RJ45) PS/2 keyboard (6-pol. Mini-DIN) PS/2 mouse (6-pol. Mini-DIN) Audio Line in, Line out, Microphone Clear CMOS button Optional: Serial and parallel port (Accessory: J-RS232)</p>
<p><i>Other connectors</i></p>	<p>2x USB 2.0 (2x5 pin header) LPC port Audio Aux-in</p>

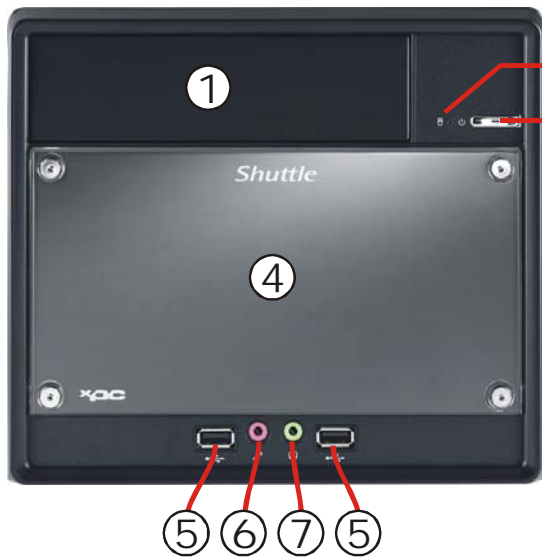
<p><i>Power supply</i></p>	<p>250 Watt mini power supply unit with power cord Input voltage range: 100~240V Connectors: 20-pin ATX, 4-pin ATX1 2V Other connectors: 2x SATA, 3x Molex, 1x Floppy Active PFC (Power Factor Correction) 50mm cooling fan</p>
<p><i>Warranty</i></p>	<p>24 Months Pick-Up-And-Return Service</p>
<p><i>Conformity Certification</i></p>	<p>EMI: FCC, CE, BSMI Safety: CB, BSMI Others: RoHS, Eup Lot6 This device is classed as a technical information equipment (ITE) in class B and is intended for use in living room and office. The CE-mark approves the conformity by the EU-guidelines: - EMV-guideline 89/336/EWG electromagnetic tolerance - LVD-guideline 73/23/EWG use of electric devices within certain voltage-limits</p>

***) Shared Memory Size**

The shared memory size is dynamically controlled by VGA driver, and the Max. shared memory size will be available only when 4GB or more memory is installed under 64-bit OS.

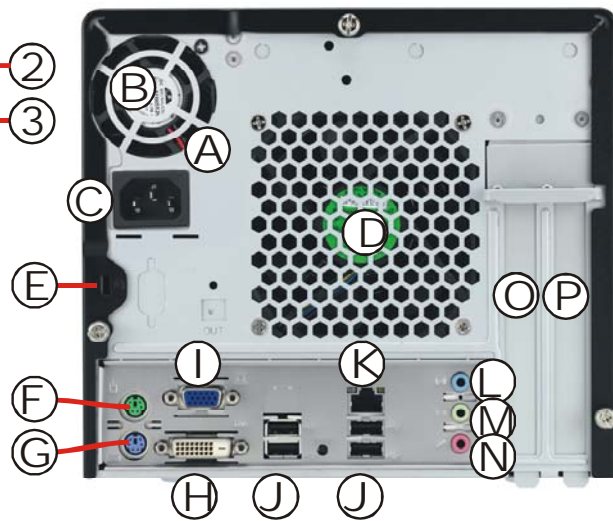
Shuttle XPC J4 4100BA Black – Connectors

Front View



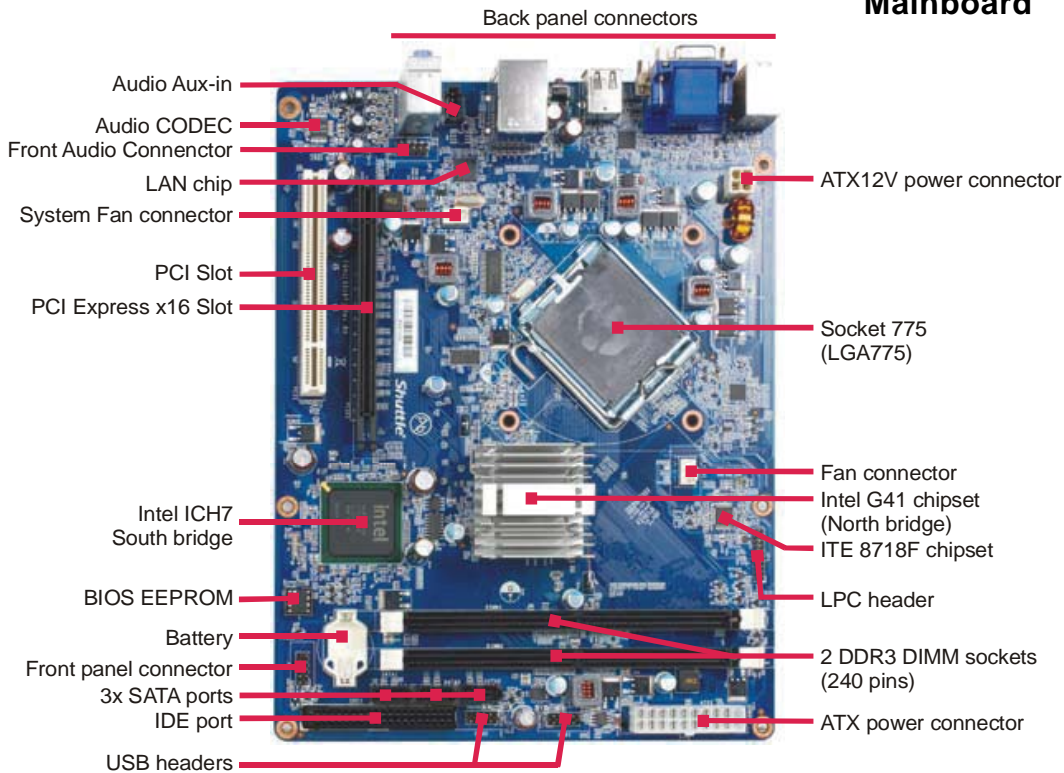
- (1) 5.25" bay
- (2) Hard disk LED indicator
- (3) Power button with Power LED
- (4) Acrylic front plate
- (5) 2x USB ports
- (6) Microphone input
- (7) Headphone output

Rear View



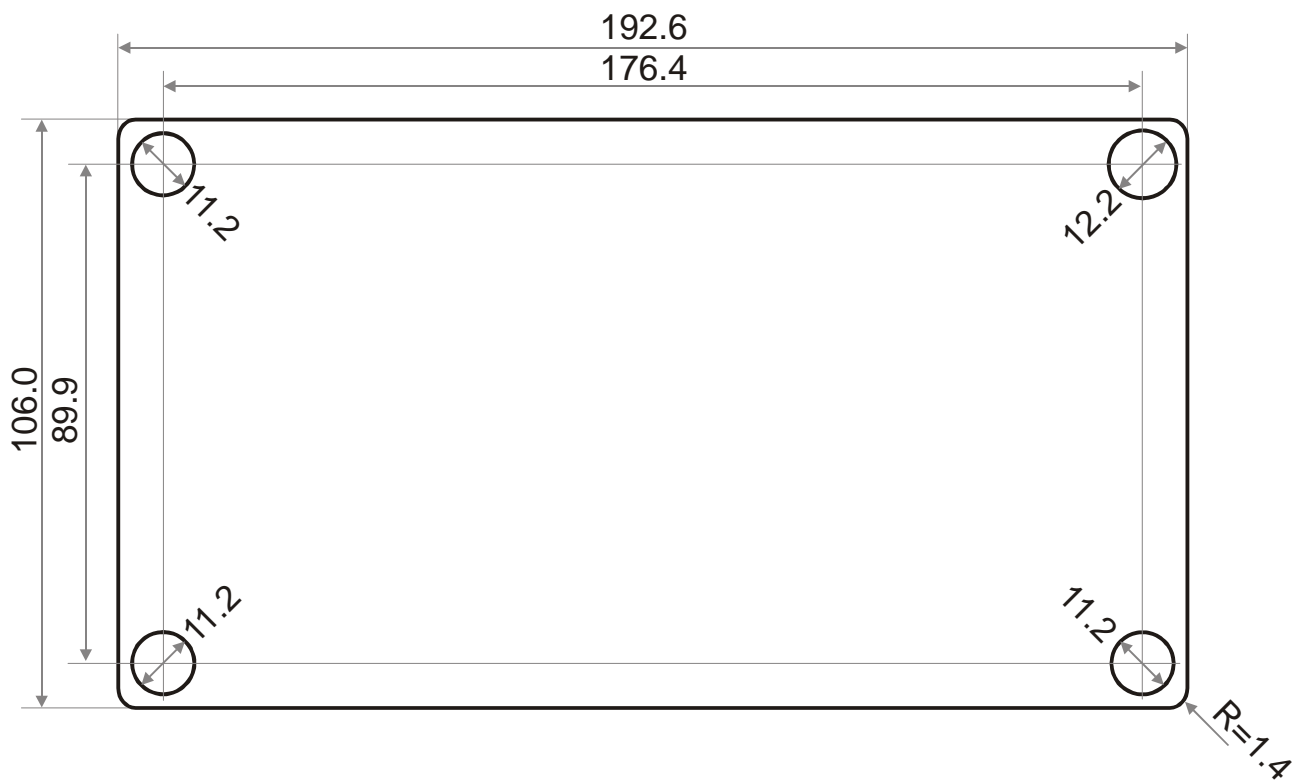
- (A) Power supply consist of
- (B) PSU cooling fan and
- (C) AC power connector
- (D) Chassis cooling fan
- (E) Hole for Kensington-Lock
- (F) PS/2 mouse port
- (G) PS/2 keyboard port
- (H) DVI-D video port (digital)
- (I) VGA video port (analog)
- (J) 4x USB ports
- (K) RJ45 LAN port
- (L) Audio Line-in port
- (M) Audio Line-out port
- (N) Microphone-in port
- (O) PCI-Express X16 slot
- (P) PCI slot

Mainboard



Shuttle XPC J4 4100BA – Mylar Dimensions

The J4 front panel comes with a removable acrylic plate which allows to create individual front designs. Just change the mylar behind the acrylic front plate and enjoy your individual design or company's logo.



All dimensions in millimeter (mm)



Example