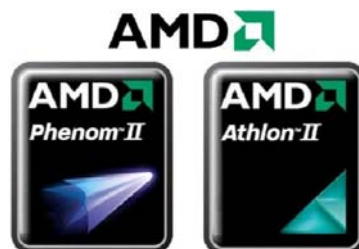


### Affordable Mini-Barebone for AMD processors with socket AM3/AM2+

The XPC Barebone SA76R4 is based on the AMD 760G chipset and supports AMD Phenom II and Athlon II processors. Two displays can be connected for multi-monitor operation using the DVI and VGA connectors. Ten USB ports are present, three of which being USB 3.0, that allow for connecting different peripheral devices. Four DIMM sockets can take up to 16 GB of dual-channel DDR3 memory. A serial port can easily be installed optionally. As a special feature, the front panel of the R4 chassis boasts a removable acrylic plate for a customizable front design. The SA76R4 convinces as an attractive aluminium Mini PC with good value for money packing modern technologies and a reliable heatpipe cooling system.

### XPC Barebone SA76R4



Images for illustration purposes only.



USB 3.0



Order No.: PC-SA76R411

### Feature Highlights

<b>R4 chassis</b>	<ul style="list-style-type: none"> <li>Black aluminium chassis (13.3 litre)</li> <li>Bays: 1x 5.25" external, 2x 3.5" internal</li> </ul>
<b>CPU</b>	<ul style="list-style-type: none"> <li>Supports Socket AM2+/AM3 Desktop CPUs</li> <li>Supports AMD Phenom II, Athlon II</li> <li>Supports max. TDP 95W</li> <li>Shuttle I.C.E. Heat-pipe cooling system</li> </ul>
<b>Slots</b>	<ul style="list-style-type: none"> <li>1x PCIe x16 (v2.0) supports dual-slot PCE-Express X16 graphics cards</li> <li>1x PCIe X1 (v1.1), 1x Mini-PCIe X1 (v1.1)</li> </ul>
<b>Chipset</b>	<ul style="list-style-type: none"> <li>AMD 760G + SB710</li> </ul>
<b>Integrated Graphics</b>	<ul style="list-style-type: none"> <li>Integrated ATI Radeon 3000, 512MB UMA</li> <li>Video outputs: DVI-D and D-Sub (VGA)</li> <li>Supports up to 4 independent displays with additional applicable graphics card</li> </ul>
<b>Memory</b>	<ul style="list-style-type: none"> <li>Supports 4x DDR3-1066/1333</li> <li>Up to 16 GBytes in total</li> </ul>
<b>SATA Ports</b>	<ul style="list-style-type: none"> <li>4x SATA 3Gb/s, supports RAID 0 and 1</li> </ul>
<b>Other connectors</b>	<ul style="list-style-type: none"> <li>5.1-ch HD-audio</li> <li>GigaBit LAN (RJ45)</li> <li>2x USB 3.0 (rear)</li> <li>8x USB 2.0 (2x front, 6x rear)</li> <li>optional: RS232 COM-Port</li> </ul>
<b>Power supply</b>	<ul style="list-style-type: none"> <li>250 Watt mini power supply</li> <li>4 pin power connector for graphics card</li> </ul>
<b>Application</b>	<ul style="list-style-type: none"> <li>Business, Office, Entry-level</li> </ul>

## Shuttle XPC Barebone SA76R4 Specifications

<i>R4-Chassis</i>	<p>Black aluminum chassis with acrylic front plate                  Customize this XPC by inserting your photo behind the acrylic plate                  Storage bays: 1 x 5.25" (external), 2 x 3.5" (internal)                  Dimensions: 32.5 x 21.5 x 19 cm (LWH) = 13.3 liters                  Weight: 3.2 kg net / 5.0 kg gross</p>
<i>Mainboard and Chipset</i>	<p>Shuttle FA76 V3.0, Shuttle form factor, proprietary design for XPC SA76R4                  Chipset: AMD 760G (north bridge) + SB710 (south bridge)                  Solid Capacitors for sensitive areas provide excellent heat resistance for enhanced system durability</p>
<i>BIOS</i>	<p>AMI BIOS, SPI Interface, 32MBit Flash-ROM                  Supports PnP, ACPI 3.0, Hardware Monitoring                  Supports boot up from external USB flash memory</p>
<i>Power Supply</i>	<p>250 Watt mini power supply unit                  Input voltage range: 100~240V                  Connectors: 20-pin ATX, 4-pin ATX12V                  Other connectors: 4x SATA, 1x graphics power (4 pin), 2x Molex, 1x Floppy                  Active PFC (Power Factor Correction)</p>
<i>Processor Support</i>	<p>Supports AMD Processors with AM2 / AM2+ / AM3 socket:                  AMD Phenom II, Phenom, Athlon II, Athlon 64, Sempron processors                  2.6 GHz HyperTransport v3.0 Technology x16 Up/Down links                  CPU power consumption (TDP) = max. 95W                  Please refer the support list for detailed processor support information.</p>
<i>Processor Cooling</i>	<p>Shuttle I.C.E. (Integrated Cooling Engine)                  advanced I.C.E. Heatpipe technology, linear controlled 92mm fan                  SilentX cooling and noise reduction technology with Active Airflow</p>
<i>Memory Support</i>	<p>4 x 240 pin slots                  Supports DDR3-1066/1333 SDRAM memory (PC3-8500/10600)                  Supports Dual Channel mode                  Supports max. 4 GB per DIMM, maximum total size of 16 GB</p>
<i>Integrated graphics **)</i>	<p>Integrated graphics engine ATI Radeon 3000                  DirectX 10.0 support, Shader Model 4.0, OpenGL 2.0                  Shared Memory max. 512MB                  Two video outputs: DVI-D and D-Sub (VGA)                  Supports DVI-D with max. resolution 1920x1200 (at 60Hz single-link)                  Supports RGB with max. resolution 2048 x 1536 (at 85Hz)                  Supports HDMI (without audio) with an optional adapter</p>

<p><i>Expansion Slots **)</i></p>	<p>1x PCI-Express x16 v2.0 slot (PEG, for graphics cards only)                  1x PCI-Express x1 v1.1 slot                  1x Mini-PCI-Express x1 v1.1 slot (for the optional WLAN module)                  Supports Dual-slot (double-width) graphics cards -                  in this case the second PCI-Express slot will be occupied.</p>
<p><i>6-channel Audio</i></p>	<p>Audio Codec: IDT 92HD89C, 5.1 channel                  Three analog audio connectors (3.5mm) at the Back-Panel:                  1) Front Line out (head phone)                  2) Rear Surround line-out                  3) Center line-out                  Front panel: microphone input and head phone output</p>
<p><i>Gigabit-LAN Controller</i></p>	<p>Realtek RTL 8111E Ethernet network controller                  PCI Express interface                  IEEE 802.3u 1000Base-T compliant                  Supports 10 / 100 / 1.000 MBit/s operation                  Supports Wake-on-LAN (WOL)</p>
<p><i>Drive connectors</i></p>	<p>4x Serial ATA rev. 2.0, max. 3 Gbit/s (onboard)                  Supports RAID mode 0 and 1 (Win XP, Win 7 x86, Win 7 64bit)                  Including 2x SATA drive cables</p>
<p><i>Front panel connectors and buttons</i></p>	<p>Microphone input                  Headphone output                  2x USB 2.0                  Power button                  Power indicator (Blue LED)                  Hard disk drive indicator (Yellow LED)</p>
<p><i>Back panel connectors</i></p>	<p>DVI-D **) supports HDMI with optional adapter                  D-Sub/VGA **)                  6x USB 2.0                  2x USB 3.0                  GigaBit LAN (RJ45)                  Audio Line-out (3.5 mm)                  Audio Line-in (3.5 mm)                  Microphone Input (3.5 mm)                  Clear CMOS button                  optional: Serial RS232 port (Accessory: "H-RS232")                  3x perforations for optional WLAN antennas</p>
<p><i>Other connectors (onboard)</i></p>	<p>4x USB 2.0 (two 2x5 pins, one occupied by front panel)                  1x RS232 serial interface (2x5 pins)                  2x fan connectors (4 pins)                  Audio AUX input                  S/PDIF digital audio output (3 pins)                  Low Pin Count (LPC) Interface for legacy I/O</p>

©2011 by Shuttle Computer Handels GmbH (Germany). All information is subject to change without notice. Pictures for illustration purposes only.

<p><i>Included Accessories</i></p>	<p>Multilanguage XPC Installation Guide            32/64bit driver disk            2x SATA cables            Power Cord            Screws            Heatsink Compound</p>
<p><i>Optional Accessories</i></p>	<p>Back panel adapter for serial RS232 port (H-RS232)            Wireless LAN Modul 802.11n (Mini-PCIe card)            300W power supply, 80Plus Bronze (PC61J)            500W power supply, 80Plus Bronze (PC63J)</p>
<p><i>Certifications Compliance</i></p>	<p>EMI: FCC, CE, BSMI, C-Tick            Safety: ETL, CB, BSMI, TÜV            Other: Windows 7 Premium Logo, RoHS, Eup Lot6, Energy Star            Conformity: This device is classed as a technical information equipment (ITE) in class B and is intended for use in living room and office. The CE-mark approves the conformity by the EU-guidelines:            - EMV-guideline 89/336/EWG electromagnetic tolerance            - LVD-guideline 73/23/EWG use of electric devices within certain voltage-limits</p>

**\*) Overclocking Warning**

Please note there is a certain risk involved with overclocking, including adjusting the setting in the BIOS or using third-party overclocking tools. Overclocking may affect your system stability or even cause damage of the components and devices of your system. It is done at your own risk and expense. Shuttle cannot be held responsible for possible damage caused by overclocking.

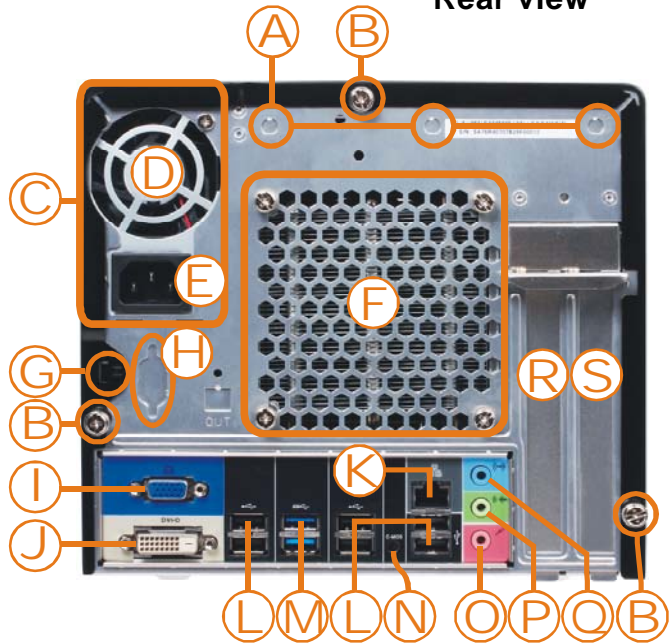
**\*\*\*) The integrated video outputs (DVI-D and D-Sub/VGA) support the advanced dual independent display mode.** But these ports cannot be used, if a PCI-Express graphics card with NVIDIA graphics processor is installed. It supports Quad display mode with an additional applicable ATI graphics card.

Shuttle XPC Barebone SA76R4 – Connectors

Front view



Rear view

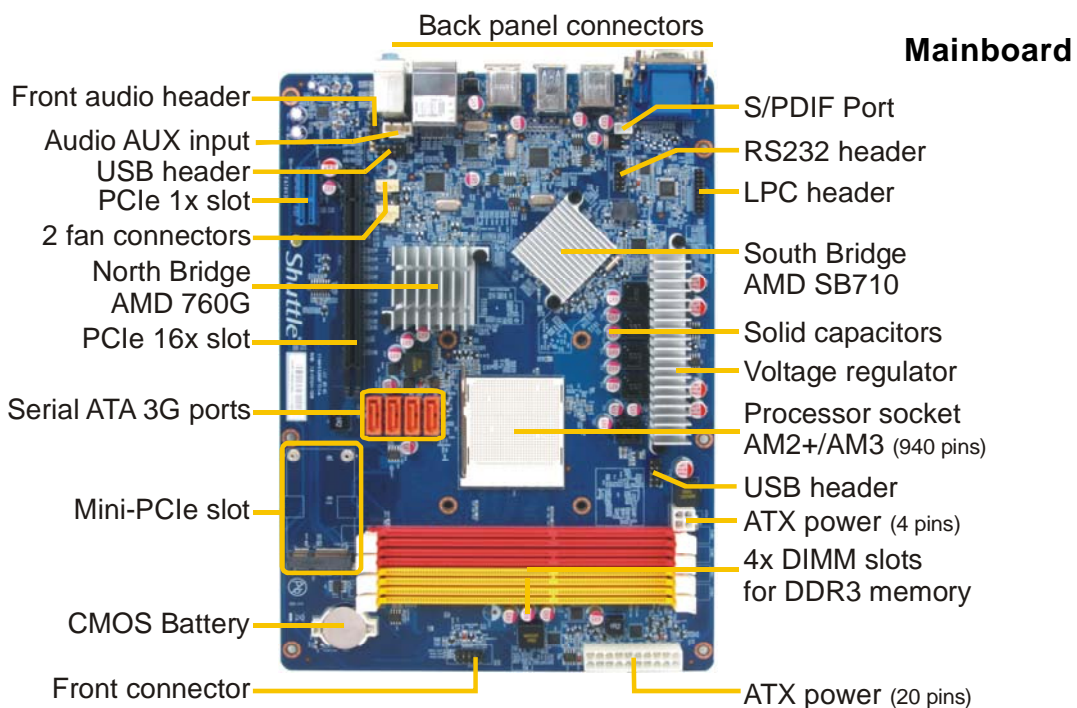


- 1 5.25" bay for the optical drive
- 2 Removable acrylic plate
- 3 Hard disk LED indicator
- 4 Power switch with LED
- 5 2x USB 2.0 ports
- 6 Microphone input
- 7 Headphone output

- A Perforation for optional WLAN module
- B Three thumbscrews
- C Power supply
- D Power supply fan
- E AC power connector
- F Heatpipe cooling system
- G Hole for Kensington Lock
- H COM / RS232 (optional\*\*)
- I D-Sub VGA video output \*
- J DVI-D video output \*

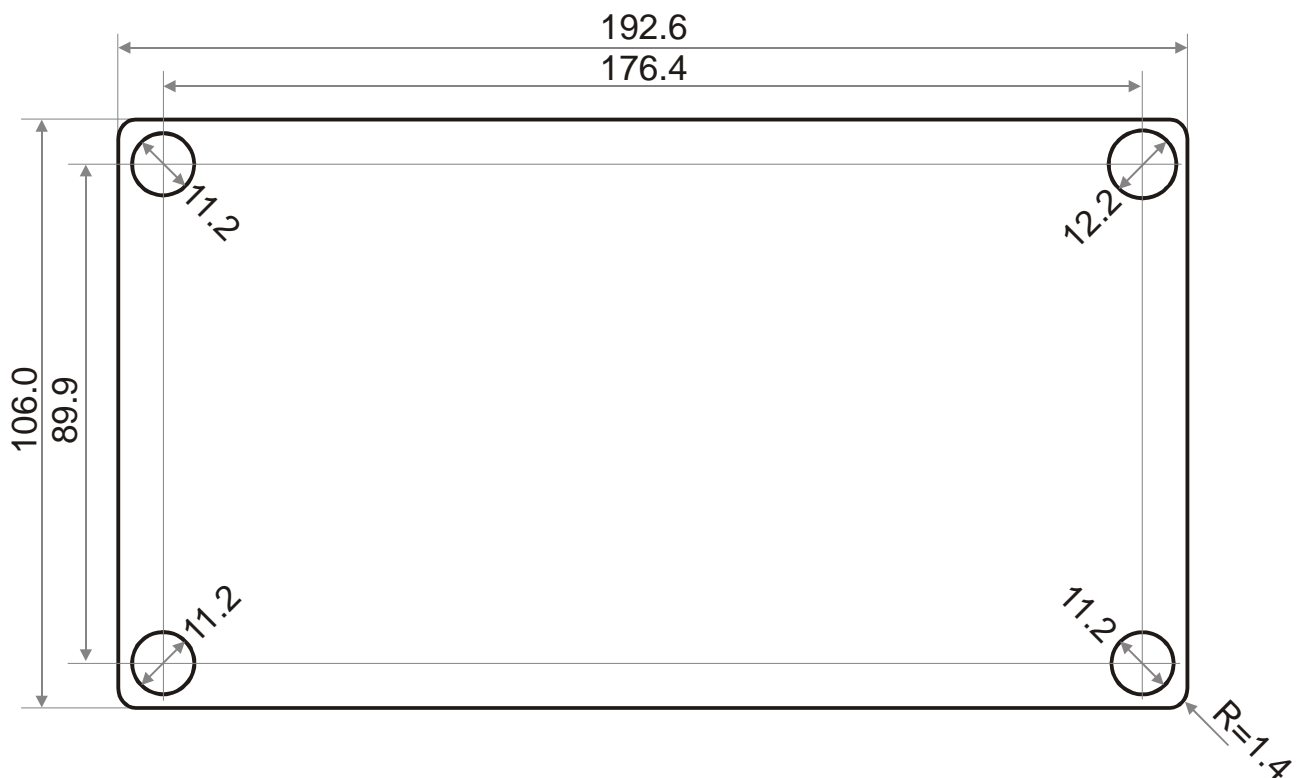
- K Gigabit LAN (RJ45)
- L 6x USB 2.0
- M 2x USB 3.0
- N Clear-CMOS-Button
- O Microphone input
- P Audio Line-out
- Q Audio Line-in
- R PCI-Express X16 slot
- S PCI-Express X1 slot

\*) Remark: the DVI video outputs will be disabled, if a NVIDIA graphics card is installed. \*\*) Adapter H-RS232



## Shuttle XPC Barebone SA76R4 – Mylar Dimensions

The R4 front panel comes with a removable acrylic plate which allows for creating individual front designs. Simply change the mylar and add your individual design such as a photo, graphics or a company logo to the front panel in just a few steps.



All dimensions in millimeters (mm)



Example