

Ultra Small Media PC

The Shuttle XPC mini X 200ME is just 5.5 cm tall and masterly designed to save your desk space with performance specifications ideal for multimedia applications such as video editing or just watching DVDs. Equipped with Intel's Core 2 Duo mobile processor, Intel GMA950 onboard graphics accelerator with DVI/VGA out and multi-channel digital audio, the Shuttle XPC mini X 200ME offers the exceptional combination of the powerful performance and greatest convergence and potential for future applications. Moreover, the connectivity options include LAN, card reader and USB 2.0. It also integrates a MCE compliant Hybrid TV tuner including remote control. Just plug in your display, keyboard and mouse and you've got an incredibly compact Media-PC, delivering a great digital entertainment experience with the traditional XPC charm that many have come to love. The Shuttle XPC mini X 200ME is an ideal for many applications: Digital hub (music, photos and video); Desktop replacement; Home media center; Home office platform.

Shuttle XPC mini **X200ME**



Pictures for illustration purposes only.

Feature Highlight

Category	<ul style="list-style-type: none"> Media Center
OS	<ul style="list-style-type: none"> Microsoft Vista Home Premium + DVD Pack
Processor	<ul style="list-style-type: none"> Core 2 Duo (2x 1,6 GHz), Socket 479
Memory	<ul style="list-style-type: none"> 2 GB DDR2-667 SO-DIMMs, Dual Channel
Chipset	<ul style="list-style-type: none"> Intel 945GM + ICH7M
Graphics	<ul style="list-style-type: none"> Intel GMA 950, DirectX 9, 224MB UMA, DVI-I
Audio	<ul style="list-style-type: none"> 7.1 HD-Audio, SPDIF out + analog ports
LAN	<ul style="list-style-type: none"> Fast Ethernet 10/100 Mbit/s
Storage	<ul style="list-style-type: none"> 500 GB hard disk drive, S-ATA 3 Gbit/s Slot-in DVD writer 4-in-1 memory card reader
Other ports	<ul style="list-style-type: none"> 5x USB 2x PS/2 (mouse/keyboard not included)
Warranty	<ul style="list-style-type: none"> 24 Months Pick-Up-And-Return Service

Product ID: X 200ME
Order No: PCS- X0020ME1



The configuration of the Shuttle XPC mini X 200ME is only one of several configurations available of the Shuttle XPC mini X 200M series. Please refer to the **Shuttle Systems Configurator** (sys.eu.shuttle.com) to see the full range of other possible built-to-order (BTO) systems.

Shuttle XPC mini X 200ME Specifications

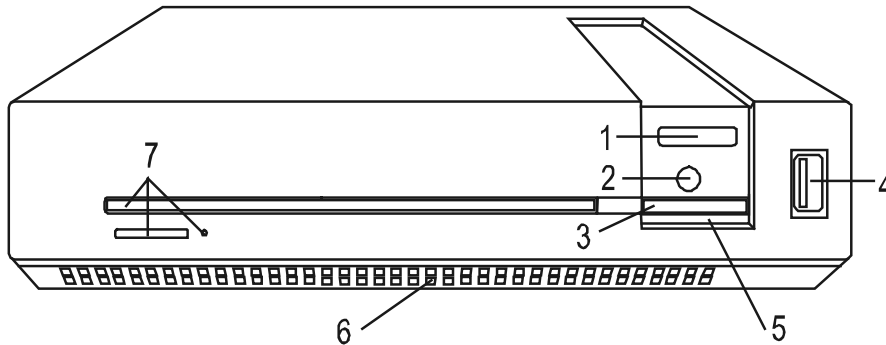
<i>Range of application</i>	Media Center
<i>Operating system</i>	Microsoft Vista Home Premium + DVD Pack (incl. MPEG2/DVD decoder) 9 languages available: German, English, French, Dutch, Italian, Spanish, Swedish, Finnish, Danish
<i>Chassis</i>	X-type chassis, Shuttle Ultra Small Form Factor, synthetic material dimensions: 21 x 29.6 x 5.5 cm cm (DWH) = 3.42 liter Weight: 3.4 kg net
<i>Power Adapter</i>	External, fanless SilentX power adapter Output wattage: 80W, Output voltage: 12V Input: 100-240V AC autosensing Active PFC (Power Factor Correction) EMI certified: FCC, CE, BSMI; Safety certified: UL, TÜV, CB, BSMI
<i>Processor Support</i>	Socket 479 supports Intel Mobile Processors with 65nm technology. Equipped with Intel Core 2 Duo Processor, Core Clock 2x 1.6 GHz, Merom Core 533MHz FSB, 2MB Cache, Dual Core
<i>Chipset</i>	Mobile Intel® 945GM Express Chipset Northbridge Intel 945GM and Southbridge ICH7M
<i>Hard disk</i>	3.5" Serial ATA hard disk with 500 GB capacity Serial ATA II interface with up to 3 Gb/s transfer rate
<i>Optical drive</i>	Slim Slot Multi Format DVD Writer without tray Read speed: DVD-ROM 8x, CD-ROM 24x Write speed: DVD±R 8x, DVD±RW 4x, DVD-RAM 5x, DVD+R DL 2.4x, CD-R 24x, CD-RW 16x
<i>Memory</i>	2 GB DDR2-667, Dual Channel 2x 200 pin SODIMM modules à 1024 MB
<i>Integrated Graphics</i>	Intel Graphics Media Accelerator 950 (GMA950) Powerful 400MHz core and DirectX 9 3D hardware acceleration Support up to 2048x1536 graphics resolution Dynamic Video Memory Technology (DVMT) 3.0, shared memory max. 224MB Outputs: DVI (digital), VGA (analog, via adapter)

<i>TV tuner</i>	<p>Supports analog (PAL/NTSC/SECAM), FM radio and digital DVB-T TV YUAN MPC718 hybrid tuner chip with MPEG2 encoder Connectors for TV and FM antenna Windows Media Center compliant Designed for the Mini PCI expansion slot</p>
<i>Remote control</i>	<p>Shuttle MCE Remote Control and build-in infrared receiver inside the chassis</p>
<i>Audio</i>	<p>7.1 channel Intel HD audio sound max. 192kHz/32-Bit, Realtek ALC882 codec Microphone input, line-in, line-out, digital SPDIF output (coaxial)</p>
<i>LAN</i>	<p>Fast Ethernet controller Intel 82562 supports 10/100 Mbit/s data transfer rate</p>
<i>Card Reader</i>	<p>Integrated multi-format 4-in-1 card reader (USB 2.0) supports the memory card types: SD, MMC, MS and MS-pro</p>
<i>Front-panel I/O</i>	<p>USB 2.0 connector Power button with Away Mode Power LED LED for hard disk drive and optical drive activity</p>
<i>Back-panel I/O</i>	<p>DVI-I out (including adapter with VGA connector) 4x USB 2.0 PS/2 keyboard PS/2 mouse LAN (RJ45) Microphone input Line-in Line-out (head phones) Digital Audio SPDIF output (coaxial) Safe-Lock Connectors for TV and FM radio antennas DC-in for external power supply</p>
<i>Environmental Limits</i>	<p>Operating temperature: 5 to 30°C (41 to 86°F) Operating humidity: 20 to 80 percent RH (5 to 35°C) Storage temperature: -15 to 50°C (-5 to 122°F)</p>
<i>Accessories</i>	<p>System manual Quick installation guide DVI to D-Sub connector Stand for vertical operation Power adaptor Power cord</p>
<i>Warranty</i>	<p>24 Months Pick-Up-And-Return Service</p>

Shuttle XPC mini **X200MC**

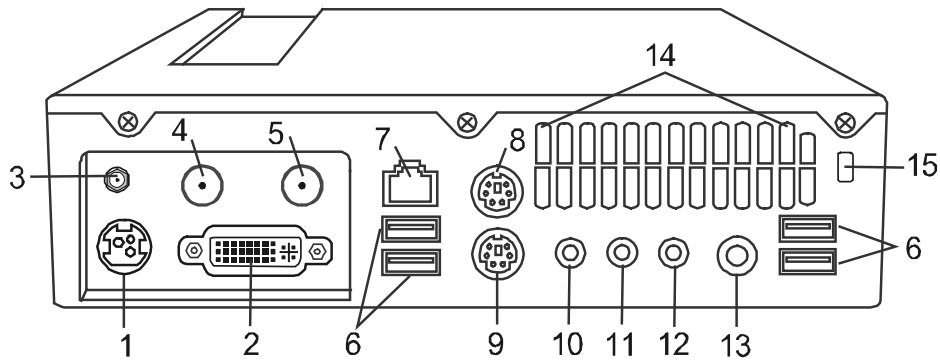
Advanced Connectivity

Front View



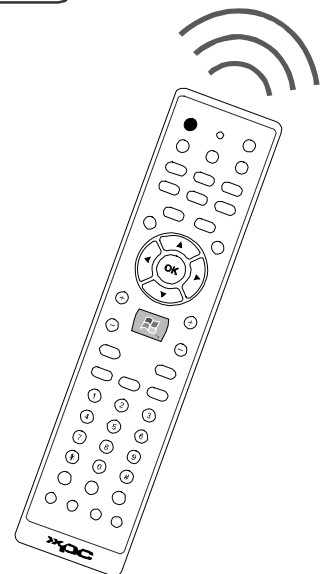
- 1. Power / Suspend Button
- 2. IR Receiver for MCE remote controller
- 3. 4-in-1 Card Reader
- 4. USB 2.0 Port (x1)
- 5. Power Status LED Lamp
- 6. Ventilation Grill
- 7. Optical Drive, Disk Eject Button and Disk status LED Lamp

Rear View



- | | |
|--|---|
| <ul style="list-style-type: none"> 1. Power Jack (DC-in) 2. DVI-I Port (Sub-D via adapter, optional splitter cable) 3. WLAN antenna (Option) 4. TV Cable Port 5. FM Radio Antenna Port 6. USB 2.0 Port (x4) 7. Ethernet / LAN Port (RJ45) | <ul style="list-style-type: none"> 8. PS/2 Mouse Port 9. PS/2 Keyboard Port 10. Stereo Headphone (Line-out Jack) 11. Audio Line-in Jack 12. Microphone Jack 13. S/PDIF-out Jack 14. Ventilation Grill 15. Safe-Lock |
|--|---|

Media Center Remote Control



Shuttle X-Series: Recommended Configurations:



	<i>Shuttle XPC mini</i> X200B	<i>Shuttle XPC mini</i> X100H	<i>Shuttle XPC mini</i> X200M
Application	Business	Home	Media Center
Operating System	Windows XP Professional	Windows XP Home	Windows XP MCE 2005
Chipset	Intel 945GM + ICH7M	Intel 945PM + ICH7M	Intel 945GM + ICH7M
Intel Mobile Processor	Intel Celeron M 4xx (Single Core)	Intel Core Duo Intel Core 2 Duo (Dual Core)	Intel Core Duo Intel Core 2 Duo (Dual Core)
Memory (up to 2 GB)	DDR2-533 512MB (2x 256MB) Dual Channel	DDR2-533/667 1 GB (2x 512MB) Dual Channel	DDR2-533/667 1 GB (2x 512MB) Dual Channel
Graphics	Integrated Intel GMA 950 max. 224MB UMA	ATI Mobility Radeon X1400 MXM/PCIe graphics card 128MB GDDR2 VRAM	Integrated Intel GMA 950 max. 224MB UMA
3.5" Harddisk	80GB (or other)	250GB (or other)	320GB (or other)
4-in-1 Card reader	Yes	Yes	Yes
Optical drive	DVD combo drive (reads DVDs, writes CDs)	DVD writer (writes DVDs and CDs)	DVD writer (writes DVDs and CDs)
TV tuner	No (optional)	No	Hybrid TV tuner Analog and DVB-T
Remote Control	No (optional)	No	MCE Remote Control
LAN	Fast Ethernet (100Mbit/s)	Gigabit LAN (1000 Mbit/s)	Fast Ethernet (100Mbit/s)
Wireless LAN	No (optional)	Yes 54 Mbit/s (optional), integrated antenna	Yes 54 Mbit/s (optional), external antenna

It is possible to modify certain components of this basic configuration.
Please refer to the Shuttle Systems Configurator on Shuttle's website