



# **User Manual**

**P15WL01/ P15AL01/ P15EL01**

# Notice

---

The illustrations in this user's manual are for reference only. Actual product specifications may vary with territories.

The information in this user's manual is subject to change without notice.

THE MANUFACTURER OR RESELLER SHALL NOT BE LIABLE FOR ERRORS OR OMISSIONS CONTAINED IN THIS MANUAL AND SHALL NOT BE LIABLE FOR ANY CONSEQUENTIAL DAMAGES, WHICH MAY RESULT FROM THE PERFORMANCE OR USE OF THIS MANUAL.

The information in this user's manual is protected by copyright laws. No part of this manual may be photocopied or reproduced in any form without prior written authorization from the copyright owners.

Product names mentioned herein may be trademarks and/or registered trademarks of their respective owners/companies.

The software described in this manual is delivered under a license agreement. The software may be used or copied only in accordance with the terms of the agreement.

This product incorporates copyright protection technology that is protected by U.S. patents and other intellectual property rights.

Reverse engineering or disassembly is prohibited.

Do not throw this electronic device into the trash when discarding. To minimize pollution and ensure utmost protection of the global environment, please recycle.

For more information on the Waste from Electrical and Electronics Equipment (WEEE) regulations, visit [http://ec.europa.eu/environment/waste/weee/index\\_en.htm](http://ec.europa.eu/environment/waste/weee/index_en.htm)

---

# TABLE OF CONTENTS

---

Notice .....	1
Preface .....	3
■ 1.1 Regulations information .....	3
■ 1.2 Safety instructions .....	4
■ 1.2 Consignes de sécurité .....	5
■ 1.3 Notes for this manual.....	6
■ 1.4 Release history .....	6
Getting to know the basics .....	7
■ 2.1 Product specification .....	7
■ 2.2 Product overview .....	11
■ 2.3 Product dimensions .....	14
Getting Started .....	15
■ 3.1 M.2 Device Installation .....	16
■ 3.2 Memory Module Installation.....	17
■ 3.3 How to replace the M.2 SSD .....	19
■ 3.4 Optional installation of WLAN antennas (appropriate chassis version required) .....	21
■ 3.5 Powering on the system .....	22
■ 3.6 Potential equalization (optional) .....	23
■ 3.7 VESA mounting to the wall (optional) .....	24
■ 3.8 How to use the Touch Panel .....	25
■ 3.9 Cleaning the screen.....	25
■ 3.10 Using the Vertical Stand (optional) .....	26
BIOS Setup.....	27
■ 4.1 About BIOS Setup .....	27
■ 4.1.1 When to Use BIOS Setup ?.....	27
■ 4.1.2 How to run BIOS Setup ? .....	27

---

# Preface

## ■ 1.1 Regulations information

- FCC rules

This device complies with Part 15 of the FCC Rules. Operation is subject to the following two conditions: (1) this device may not cause harmful interference, and (2) this device must accept any interference received, including interference that may cause undesired operation.

- CAN ICES-003(B) / NMB-003(B)

- CE compliance

This device is classed as a technical information equipment (ITE) in class A and is intended for use in commercial, transport, retailer, public, automation...field.



### **WARNING**

#### **THIS PRODUCT CONTAINS A BUTTON BATTERY**

If swallowed, a lithium button battery can cause severe or fatal injuries within 2 hours. Keep batteries out of reach of children.

If you think batteries may have been swallowed or placed inside any part of the body, seek immediate medical attention.



**CAUTION:** This product is intended for exclusive use and will not be used in places where children may come into contact with it.



**CAUTION:** Any changes or modifications not expressly approved by the guarantee of this device could void the user's authority to operate the equipment.

## ■ 1.2 Safety instructions

The following safety precautions will increase the life of the panel PC. Follow all Precautions and instructions.

Do not place this device underneath heavy loads or in an unstable position.

Do not use or expose this device around magnetic fields as magnetic interference may affect the performance of the device.

Do not expose this device to high levels of direct sunlight, high-humidity or wet conditions.

Do not block the air vents to this device or impede the airflow in any way.

Do not expose to or use near liquid, rain, or moisture.

Never pour any liquid into an opening. This may cause damage or electrical shock.

- The unit can be operated at an ambient temperature of max.40°C (104°F). Do not subject it to temperatures below 0°C (32°F) or above 40°C (104°F).



**CAUTION:** Incorrectly replacing the battery may damage this computer. Replace only with the same or as equivalent recommended by the manufacturer. Dispose of used batteries in accordance with the laws of your country.

## ■ 1.2 Consignes de sécurité

Les mesures de précaution suivantes servent à prolonger la durée de vie de l'ordinateur. Par conséquent, veuillez observer l'ensemble des mesures de précaution et des instructions.

Ne pas poser d'objets lourds sur l'appareil ou ne pas le mettre pas dans une position instable.

Ne pas exposer l'appareil à de forts champs magnétiques, puisque cela pourrait causer des interférences.

Ne pas exposer l'appareil directement aux rayons du soleil, à l'humidité ou ne pas le placer dans un endroit humide.

Ne pas couvrir la fente d'aération de l'appareil ou ne pas empêcher la circulation d'air de quelque sorte que ce soit.

Ne pas utiliser l'appareil à proximité de liquides, de pluie ou d'humidité.

Ne pas utiliser le modem pendant un orage.

- L'appareil peut être utilisé à une température ambiante maximum de 40°C (104°F). Ne pas exposer l'appareil à une température inférieure à 0°C (21°F) ou supérieure à 40°C (104°F).



**ATTENTION :** Ne pas replacer correctement la pile peut endommager l'ordinateur. Remplacez-la uniquement par un modèle identique ou un équivalent comme recommandé par fabricant. Éliminez les piles usagées conformément à la législation en vigueur dans votre pays.

---

## ■ 1.3 Notes for this manual



CAUTION! Important information that must be followed for safe operation.

---



NOTE: Information for special situations.

---

## ■ 1.4 Release history

---


Version	Revision note	Date
1.0	First released	10.2023

---

# Getting to know the basics

## ■ 2.1 Product specification

This User's Manual provides instructions and illustrations on how to operate this panel PC. It is recommended to read this manual carefully before using this panel PC.

 NOTE: The product's specification will depend upon the actually shipped product.

System		
Processor	P15WL01	8th Gen. Intel® Whiskey Lake-U series Processors – Intel® Core™ i7-8665UE vPro Intel® Core™ i7-8565U Intel® Core™ i5-8365UE vPro Intel® Core™ i5-8265U Intel® Core™ i3-8145UE Intel® Celeron 4305UE
	P15EL01	Intel® Elkhart Lake CPU, Atom® x6425E, 4 Core, 1.5M Cache, 2.0GHz (3.0GHz), 12W (optional) Pentium® J6426, 4 Core, 1.5M Cache, 2.0GHz (3.0GHz), 10W (optional) Celeron® J6412, 4 Core, 1.5M Cache, 2.0GHz (2.6GHz), 10W (optional)
	P15AL01	12th Gen. Intel® Alder Lake-U series Processors – Intel® Core™ i7-1265UE vPro Intel® Core™ i7-1255U vPro Intel® Core™ i5-1245UE vPro Intel® Core™ i5-1235U vPro Intel® Core™ i3-1215UE Intel® Core™ i3-1215U Intel® Celeron 7305E



Memory	P15WL01	2 x 260 pin SO-DIMM up to 64GB, Dual Channel 1.2 V DDR4 2400MHz
	P15EL01	2 x 260 pin SO-DIMM up to 32GB, Dual Channel 1.2 V DDR4 3200MHz
	P15AL01	2 x 262 pin SO-DIMM up to 64GB, Dual Channel 1.1 V DDR5 4800MHz
Display and Touch Screen		
Display	15.6" 1920x1080 Full HD LED with 10-Point Capacitive Multi-Touch	
Brightness	250/350 nits (default 350nits)	
Graphics		
Chipset	Intel® UHD Graphics	
Display Interface	Supports two independent displays 1 x HDMI 1.4b: 4096 x 2160@30Hz 1 x DVI-I: 1920 x 1080@60Hz (optional daughter board) 1 x VGA (optional daughter board)	
Storage		
Storage	1 x M.2 2280, M key (PCIe x4 or SATA, either one) Option: 1 x M.2 2280, M key, SSD SATA I/F, Slidable design 1 x M.2 2280, M key, SSD SATA I/F, Fixed design (Either one of above)	
Audio		
Audio Codec	Realtek ALC6662	

Network	
Ethernet	1 x Intel® 2.5 GbE 1 x Intel® GbE LAN or 2.5 GbE (optional) (Support Wake on Lan)
WLAN	1x M.2 2230, M key Realtek RTL8821C (optional) ( 802.11a/b/g/n/ac + Bluetooth 4.2 with 2x internal antenna (default) / 2x external antenna (optional))
I/O Interface	
LAN	1 x RJ-45 Gigabit Ethernet 1 x RJ-45 2nd Lan GbE or 2.5GbE (optional)
Serial Ports	1 x RS-232(DB-9) 2 x RS-232/422/485 (DB-9) (RS-232 with power supply: ring in/ 5V (standard) & 12V ((with specific optional board)
USB	4 x USB3.2 (Type A)
Audio	1 x Line-out 1 x Mic-in
Power	
Adapter	19V/ 4.7A 90W external adapter
Power	9-36V DC-in (Optional wide range board)
Watchdog Timer	
Watchdog Timer	255 Sec.
OS Support	
OS Support	Windows 11 64bit, Linux 64bi

Mechanism	
IP Rating	IP65 Front Panel Protection
Mounting	VESA Mount (100 x 100mm)
Dimension (WxHxD)	394 x 256 x 48.9
Weight	4.6 Kg
Environment	
Operating Temperature	0 ~ 40°C
Storage Temperature	-20°C ~ 60°C
Relative Humidity	20% - 80% RH (non-condensing)
EMC	CE, FCC, BSMI,
Safety	CB, cTUVus,CEC, BSMI
RF	EU, US, Taiwan


CAUTION: MODEL P15WL01/ P15AL01/ P15EL01 IS DESIGNED TO USE WITH THE DC INPUT: (19Vdc / 4.74A) ADAPTERS.

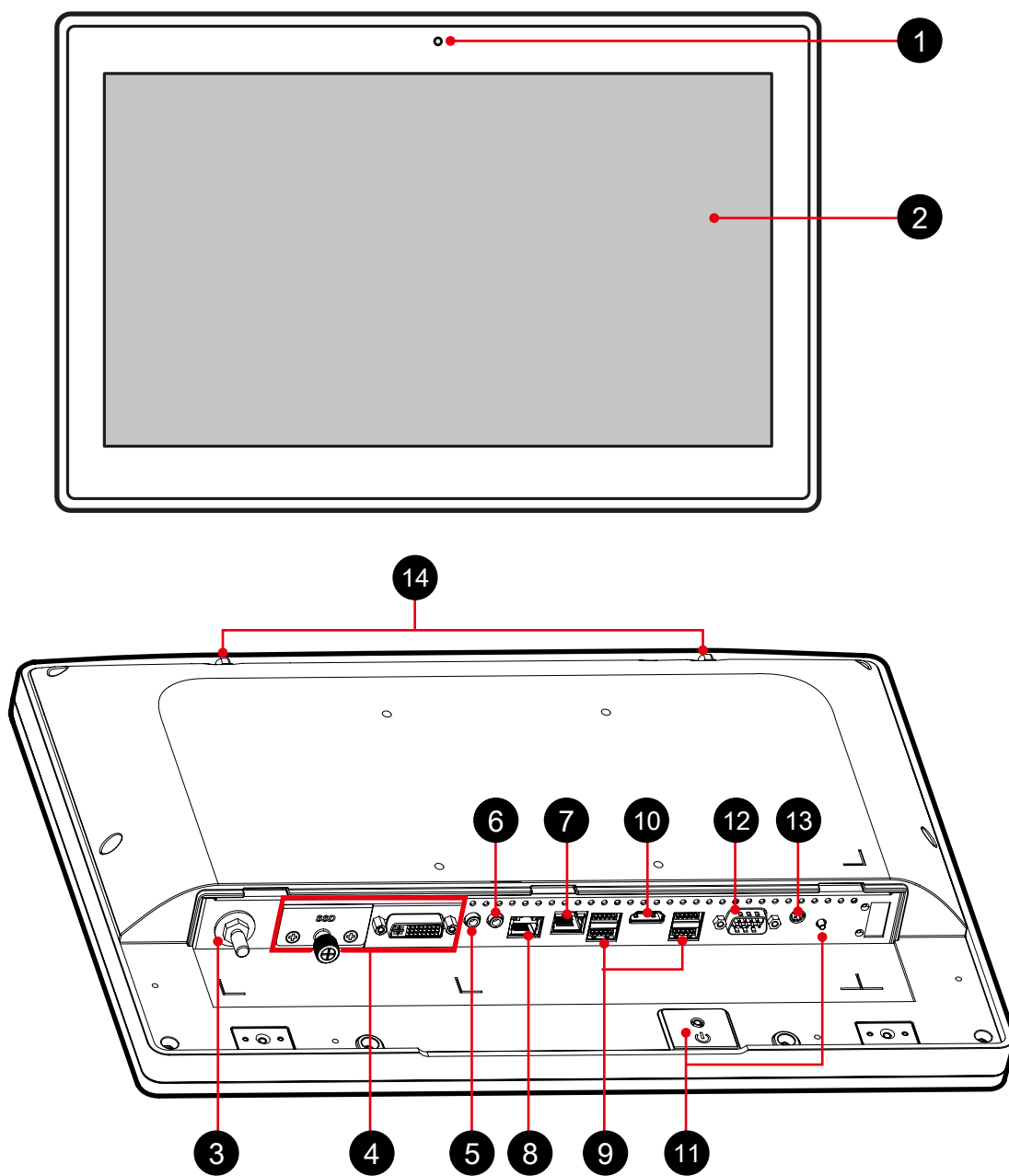


CAUTION! Adapter watt should follow default setting or refer to rating label information.


## ■ 2.2 Product overview

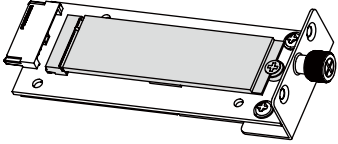
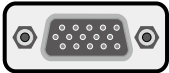


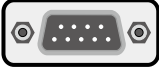
Refer to the following illustration to identify the components on this side of the panel PC. Features and configurations vary by model.

 NOTE: The product's color, I/O port, indicator location will depend upon the actually shipped product.



- 1 Webcam
- 2 15" FHD LCD display (True-Flat PCAP touch)
- 3 Potential equalization pin (POAG) (optional)

- 4  Optional I/O ports are available depending on the specs of the actually shipped product.

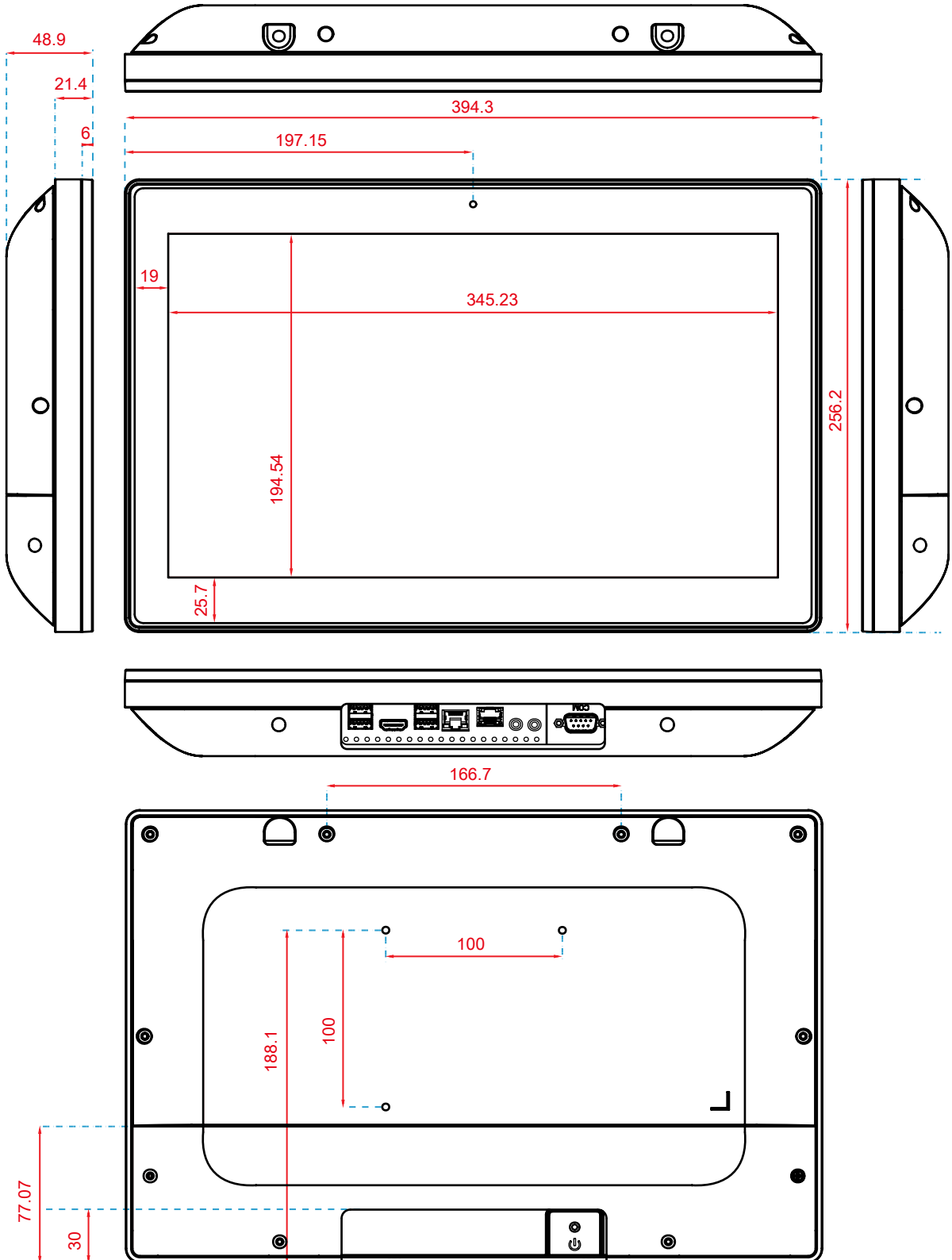
Optional I/O Port		Occupied Sections	Specifications / Limitations
M.2 SSD	1		M.2 2280 M key slot
D-Sub (VGA) port	1		Max. resolution: D-Sub (VGA): 1920x1080
DVI-I port	1		DVI-I (Single Link): 1920x1080
USB 2.0 Ports	1		USB 2.0 x 4pcs
COM Port	1		RS232 only

- 5 Headphone / Line-out jack
- 6 Microphone jack

- 
- 7 LAN (RJ45) port: 1st LAN on MB
  - 8 LAN (RJ45) port: 2nd LAN via optional daughter board  
(support wake on LAN)
  - 9 USB 3.2 Type-A ports
  - 10 HDMI port
  - 11 Power button
  - 12 COM 1 port (RS232 only)
  - 13 Power jack (DC-IN)
  - 14 Connector for external antenna (optional)

## ■ 2.3 Product dimensions

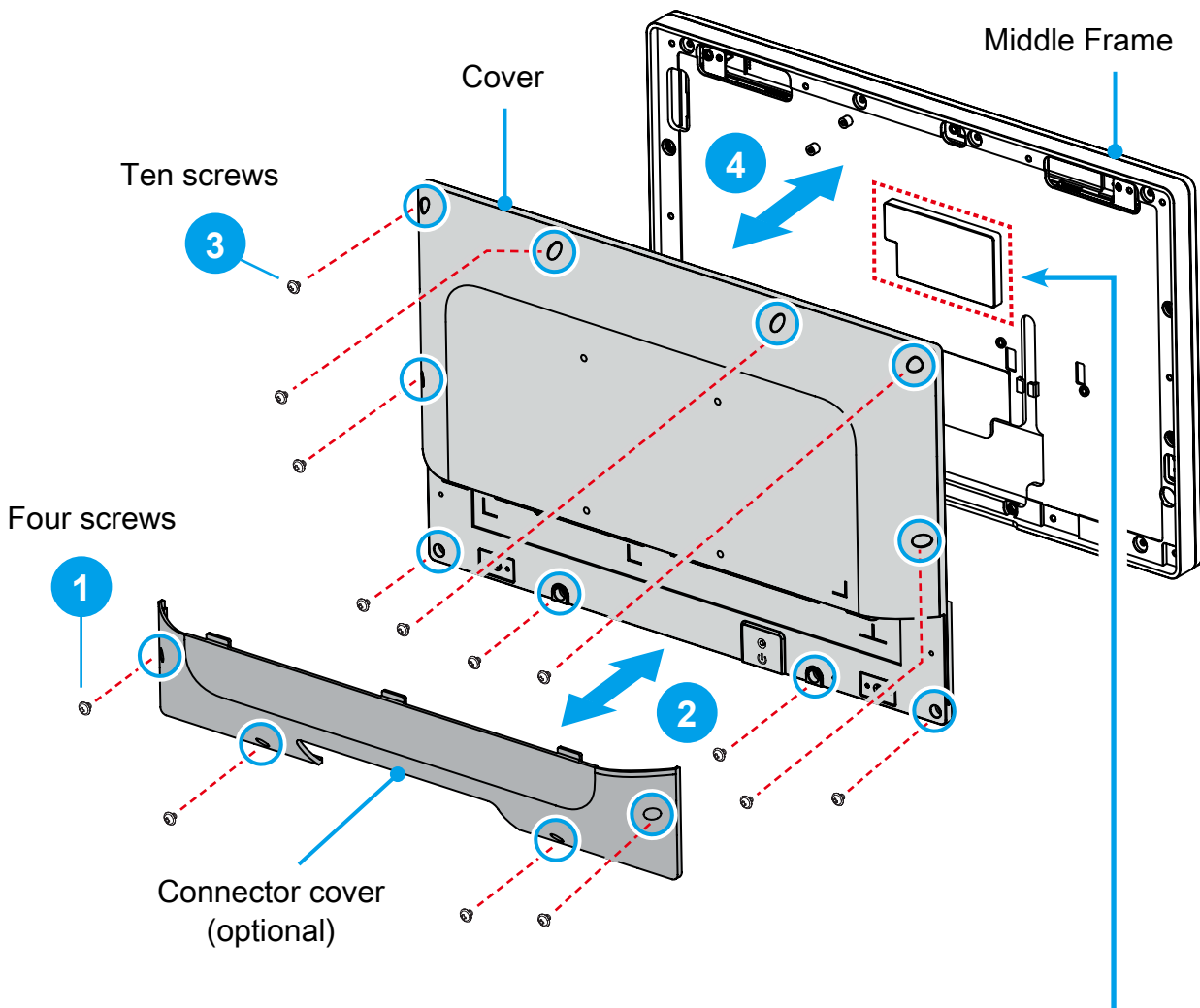
Unit: mm



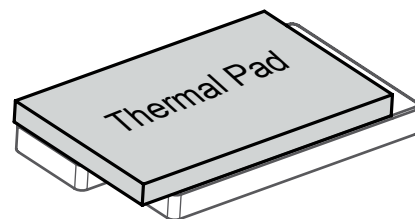
# Getting Started

**CAUTION:** For safety reasons, please ensure that the power cord is disconnected before opening the case.

- Follow the steps 1 → 4 to remove the cover.
- Follow the steps 4 → 1 to install the cover.



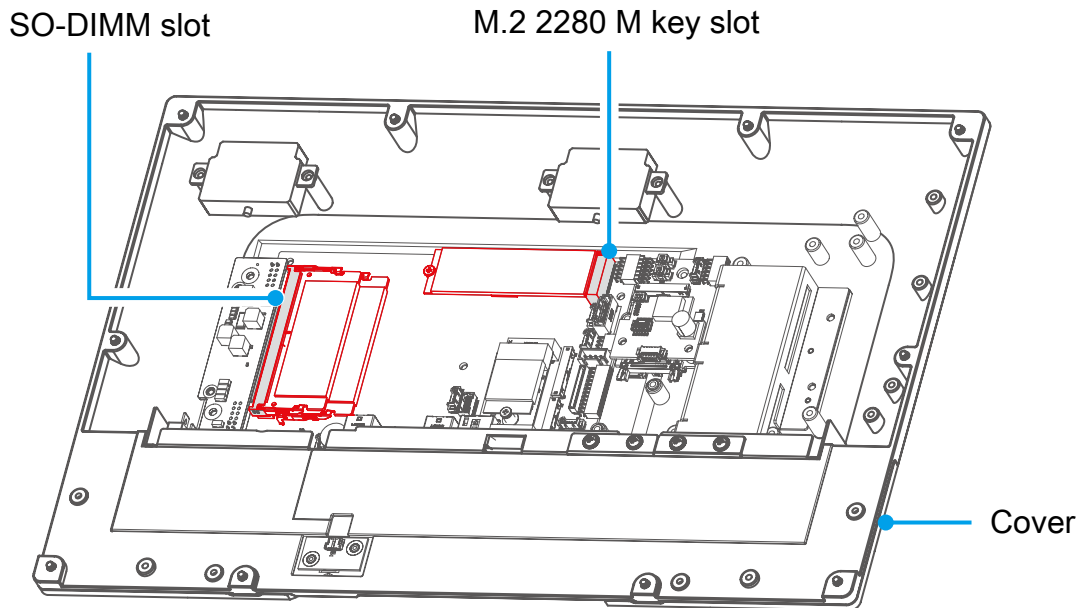
- If you install the M.2 SSD, please paste a thermal pad (73\*46\*5.5 mm) on the middle frame can effectively reduce its temperature.





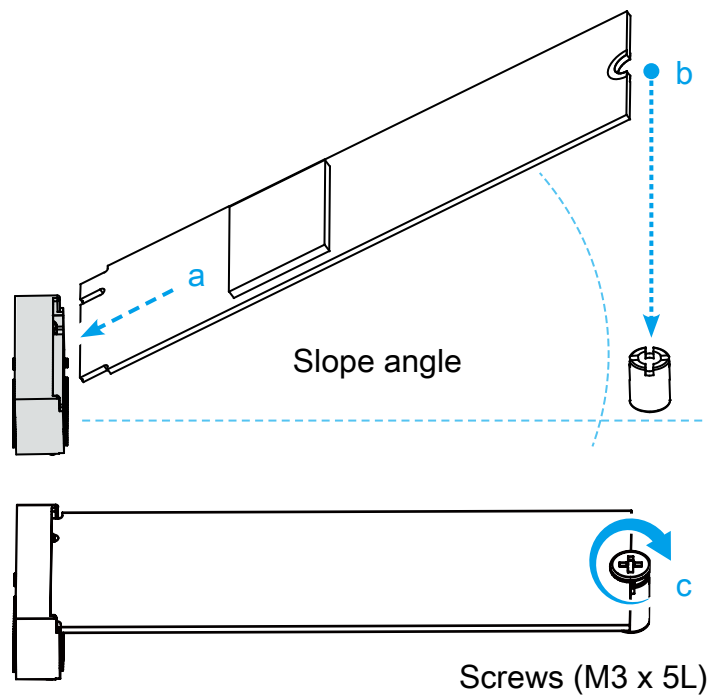
## ■ 3.1 M.2 Device Installation

1. Locate the M.2 2280 M key slot on the motherboard, unfasten the screw first.



2. Install the M.2 device into the M.2 slot and secure with the screw.

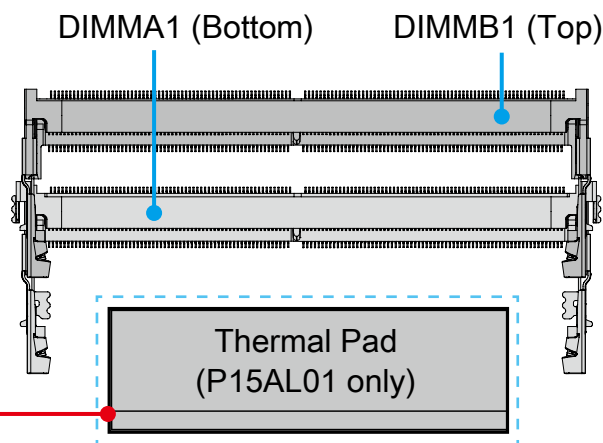
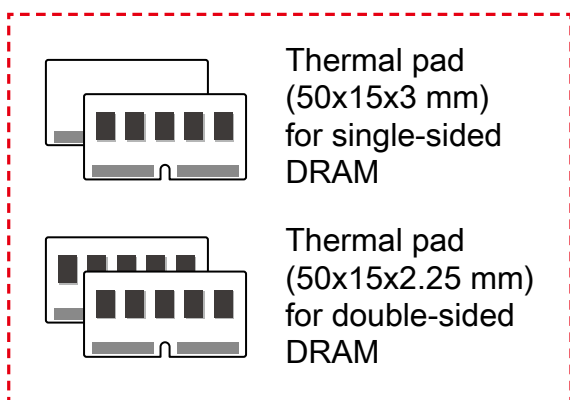
- M.2 2280 M key slot



## ■ 3.2 Memory Module Installation

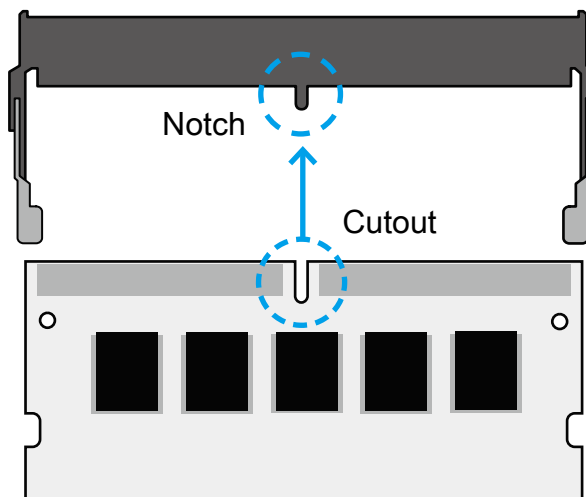
P15WL01	2 x 260 pin SO-DIMM up to 64GB, Dual Channel 1.2 V DDR4 2400MHz
P15EL01	2 x 260 pin SO-DIMM up to 32GB, Dual Channel 1.2 V DDR4 3200MHz
P15AL01	2 x 262 pin SO-DIMM up to 64GB, Dual Channel 1.1 V DDR5 4800MHz With thermal pad *4

1. Locate the SO-DIMM and paste the thermal pad on the motherboard, which can effectively reduce its temperature. (P15AL01 only)



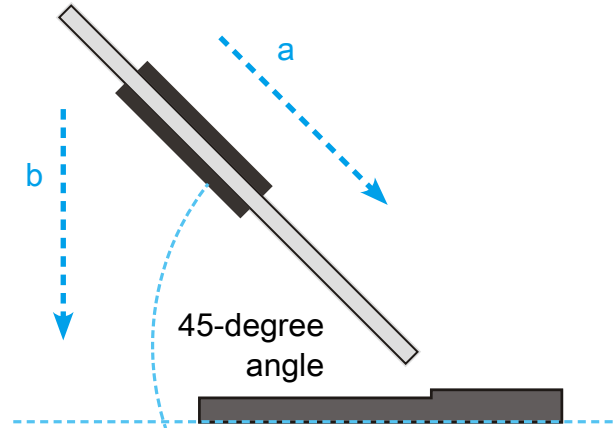
2. Install the 1st memory module into the DIMMA1 slot.

3. Align the notch of the memory module with the one of the relevant memory slot.



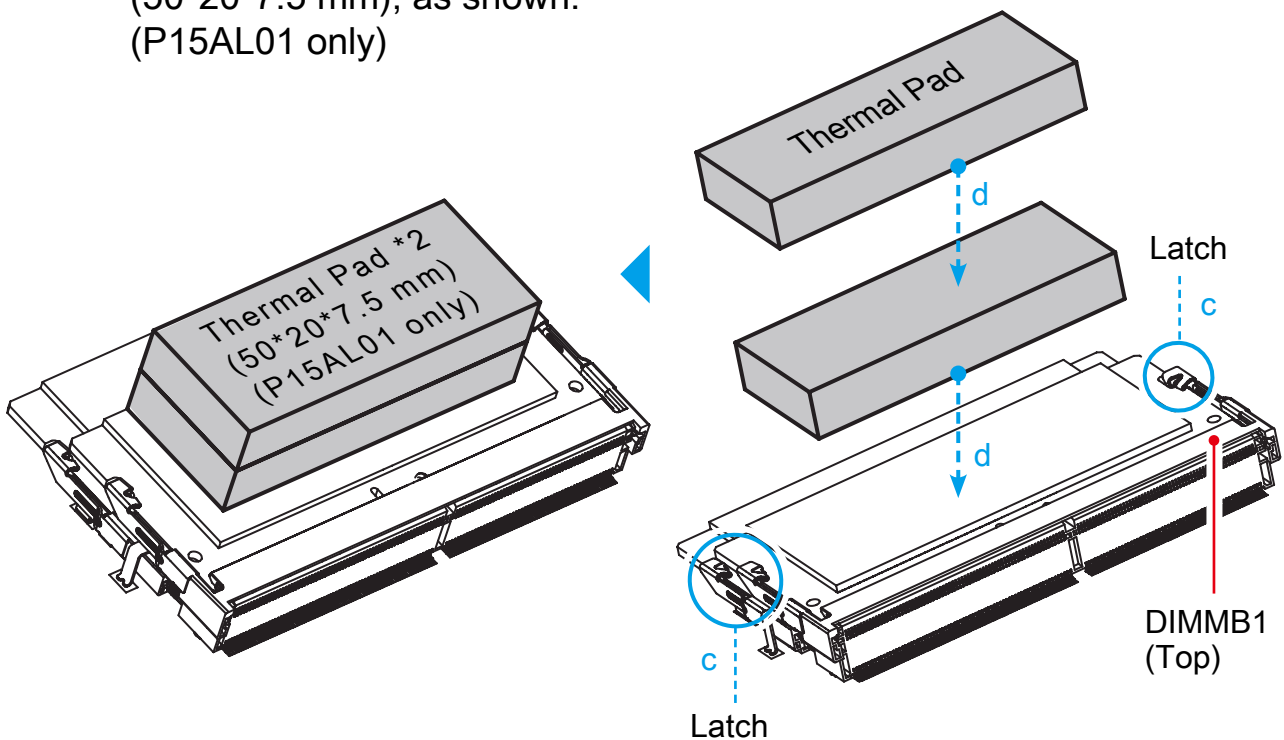
4. Gently insert the module into the slot in a 45-degree angle.

5. Carefully push down the memory module until it snaps into the locking mechanism.



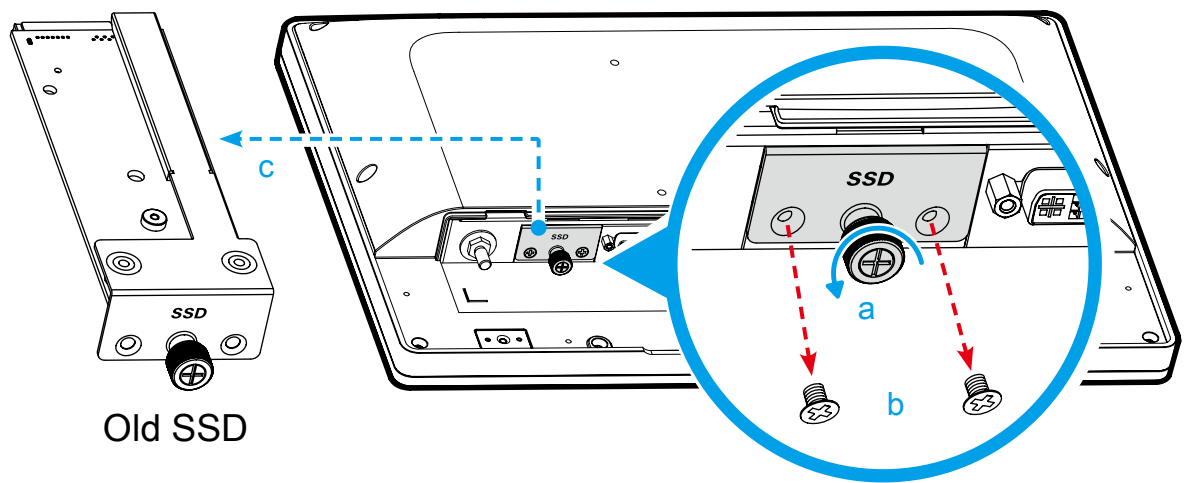
6. Install the 2nd memory module into the DIMMB1 slot (proceed with steps B3 to B5).

7. Paste the thermal pad (50\*20\*7.5 mm), as shown. (P15AL01 only)

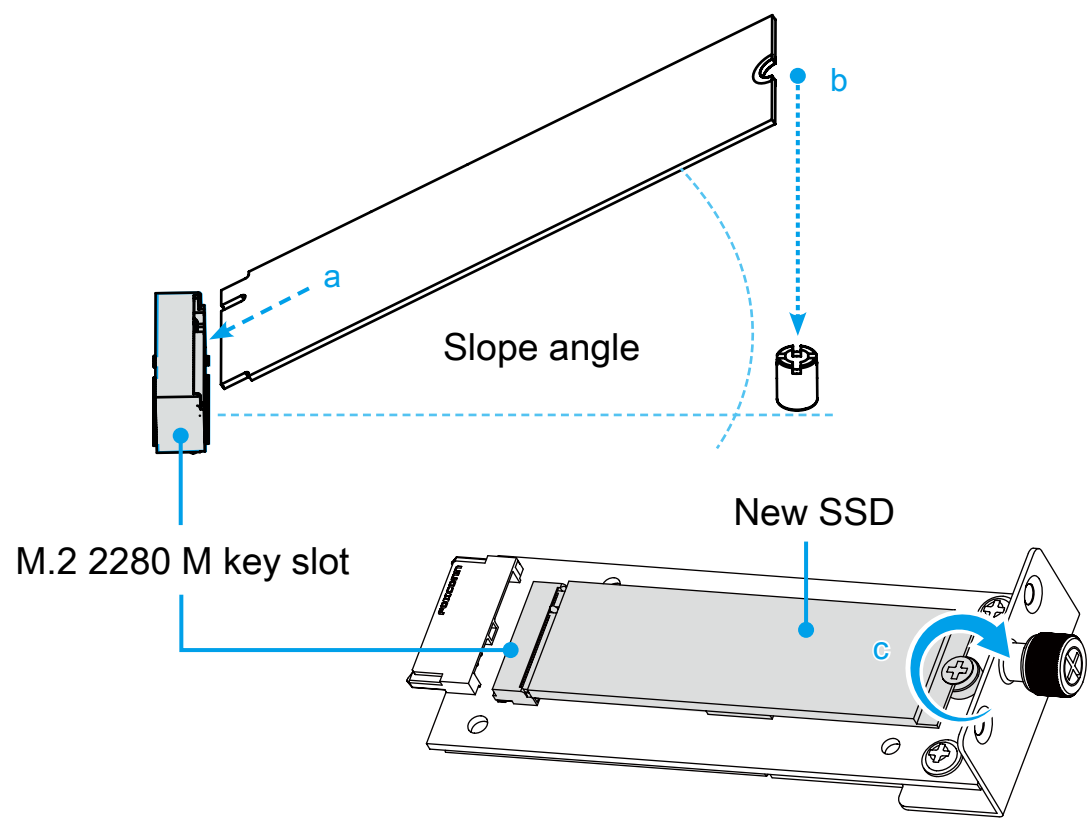


### ■ 3.3 How to replace the M.2 SSD

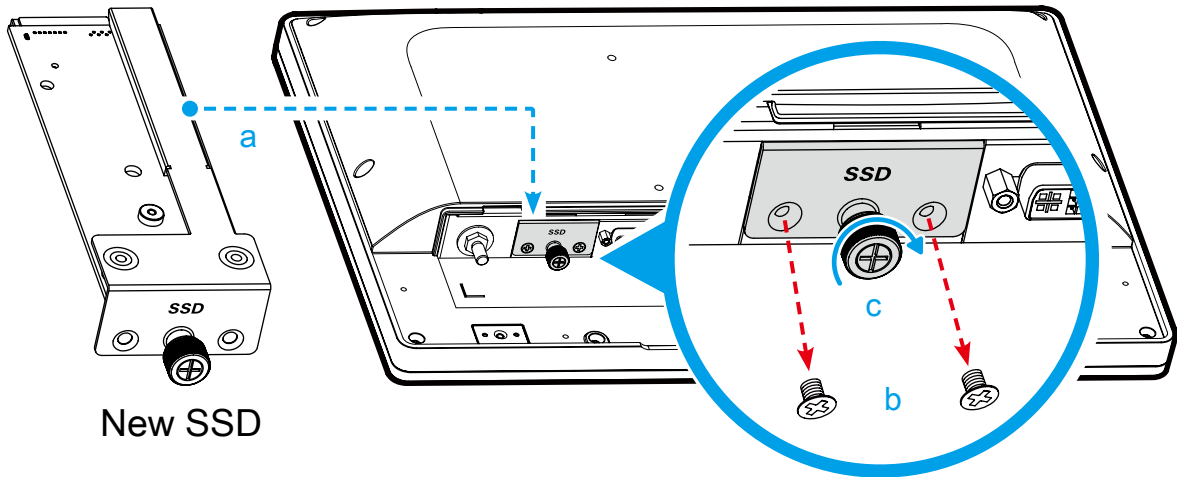
1. If you want to replace the M.2 SSD, unscrew the thumbscrew and two screws of the bracket and remove it.



2. Install the M.2 device into the M.2 slot and secure with the screw.



- Slide the bracket back into the chassis and tighten the thumbscrew and two screws.



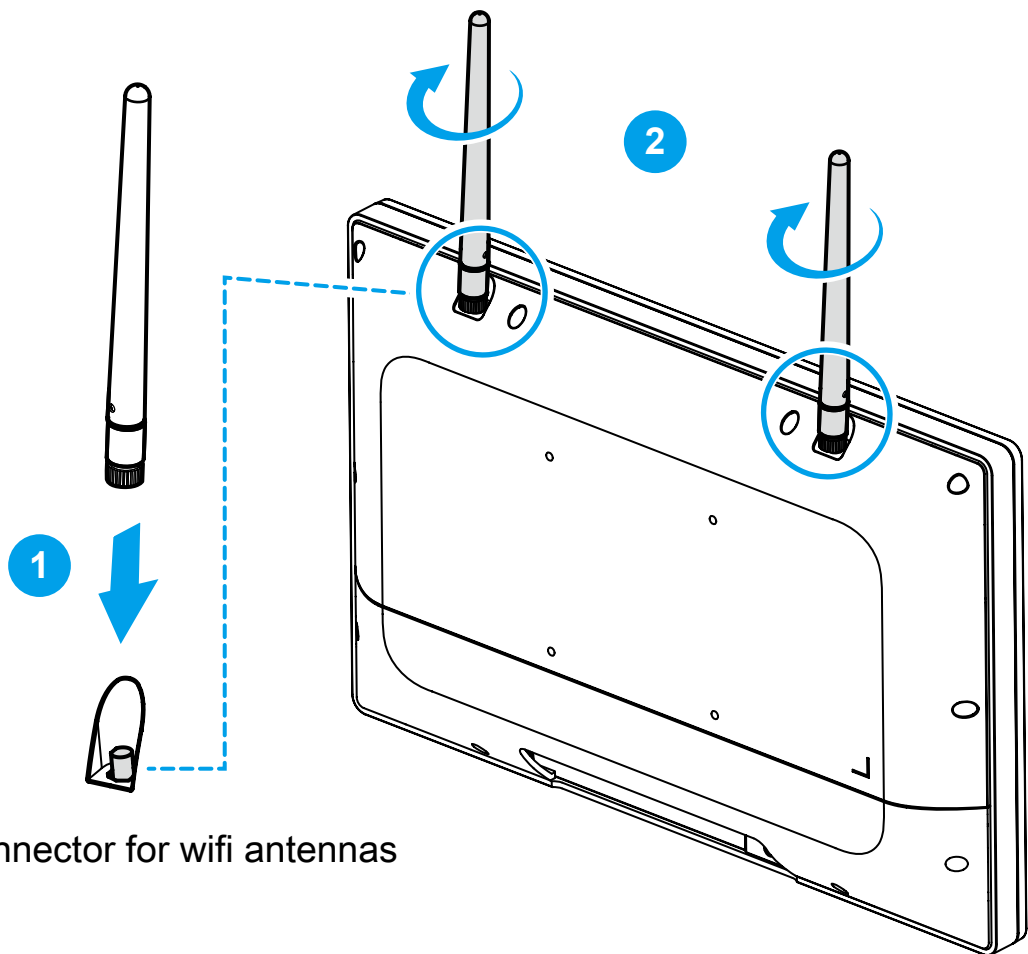
**CAUTION:** The thumbscrews should be tightened with a tool after both initial installation and subsequent access to the panel PC.

### ■ 3.4 Optional installation of WLAN antennas (appropriate chassis version required)

Take the two antennas out of the accessory box.



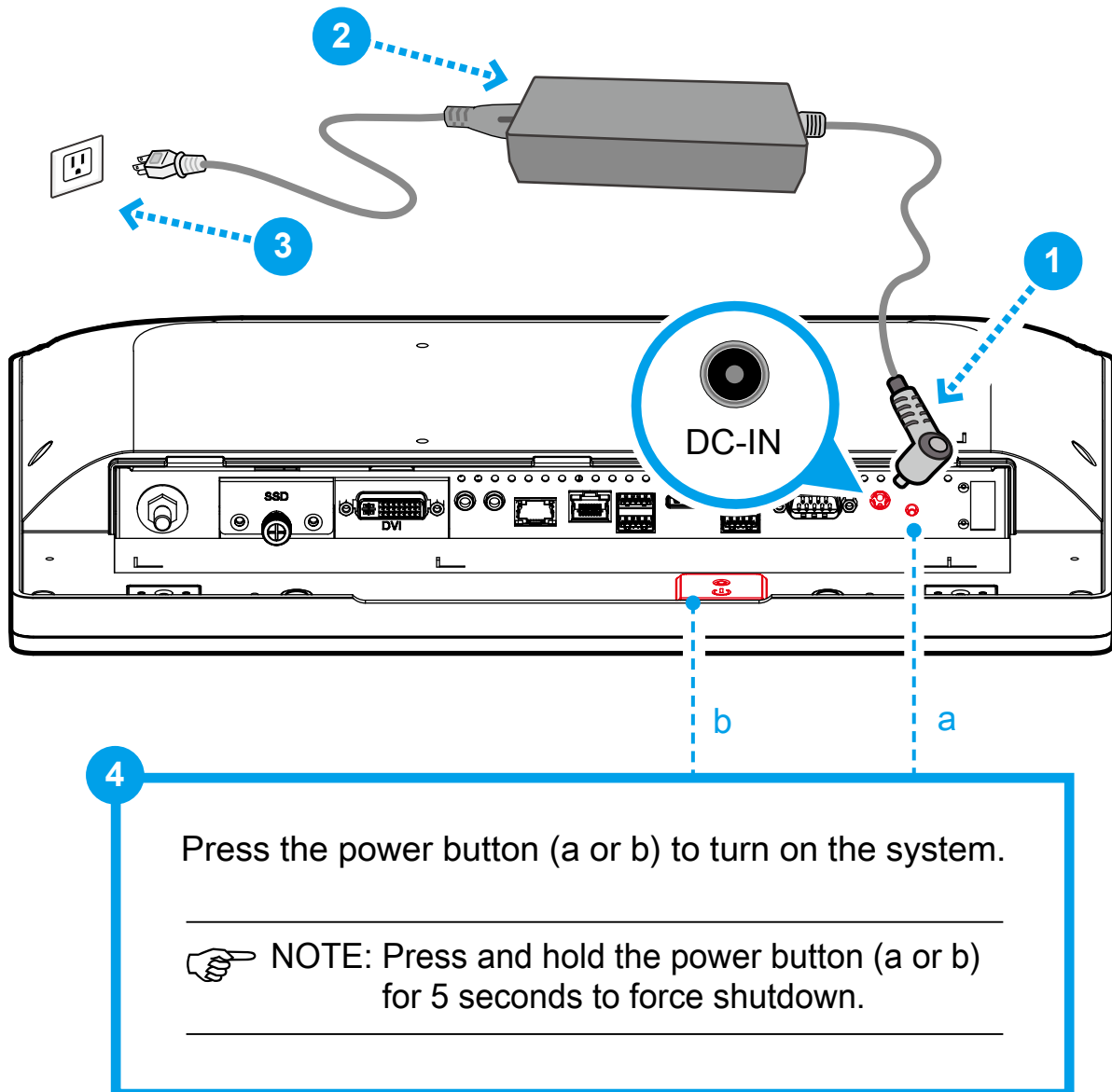
Screw the antennas on to the appropriate connectors on the back panel. Make sure the antennas are aligned vertically or horizontally to achieve the best possible signal reception.



Connector for wifi antennas

## ■ 3.5 Powering on the system

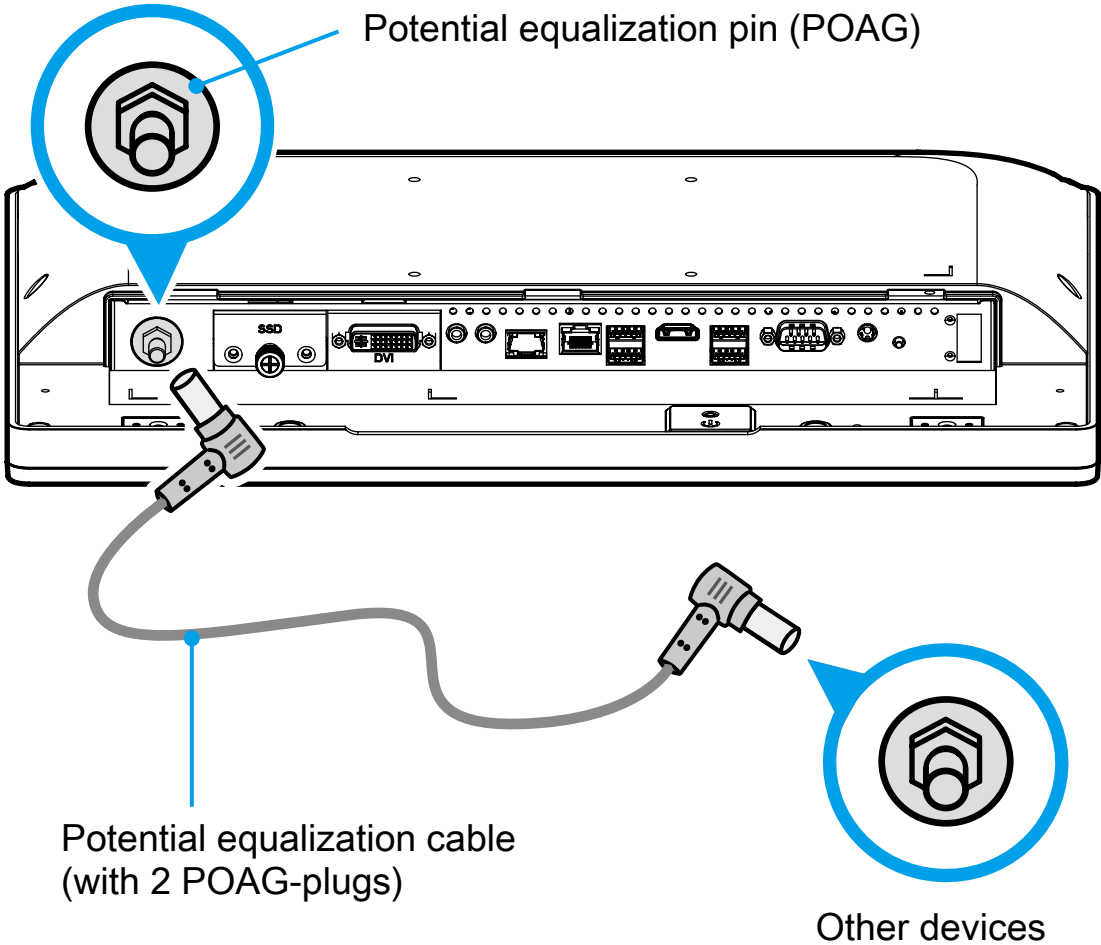
Follow the steps (1-3) below to connect the AC adapter to the power jack (DC-IN). Press the power switch/button (4) to turn on the system.



**CAUTION:** Do not use inferior extension cords as this may result in damage to your panel PC. The panel PC comes with its own AC adapter. Do not use a different adapter to power the panel PC and other electrical devices.

### ■ 3.6 Potential equalization (optional)

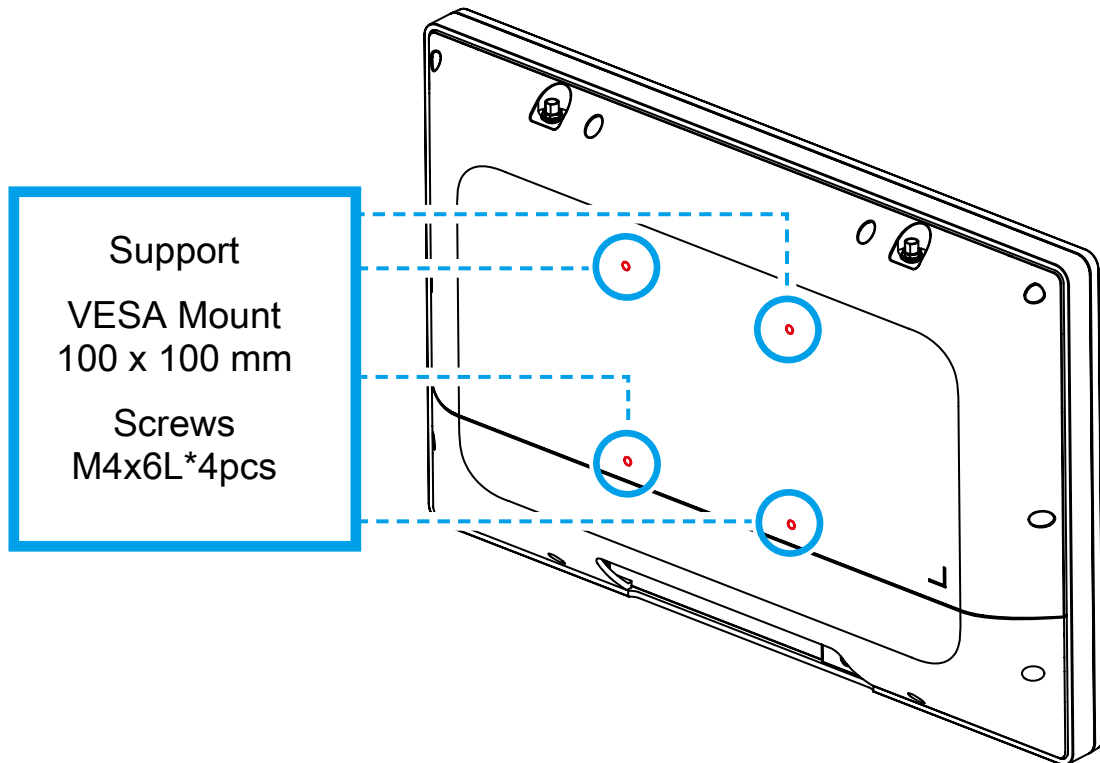
When potential equalization between the panel PC and other devices is required then connect the potential equalization pin (POAG) to the potential equalization terminal of the equipment.







### ■ 3.7 VESA mounting to the wall (optional)

The standard VESA openings show where an arm / wall mount kit which is available separately can be attached.



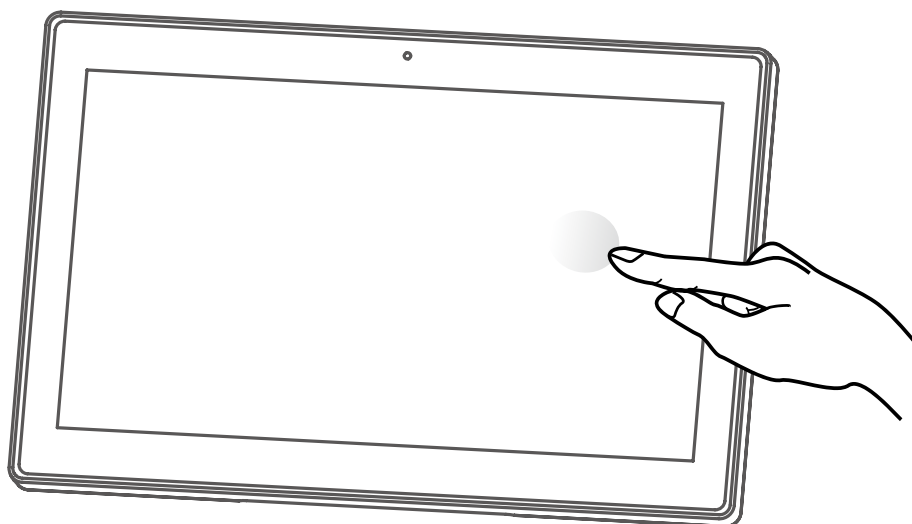
 **NOTE:** The Panel PC can be wall-mounted using a VESA compatible 100 mm x 100 mm wall / arm bracket. The maximum load capacity is 10 kg and mounting suitable in heights of  $\leq 2$  m only. The metal thickness of the VESA mount must be between 1.6 and 2.0 mm.

 **REMARQUE:** Le Panel PC peut être fixé au mur ou à un bras à l'aide d'un support VESA 100x100 mm. Le support doit être conçu pour une charge d'au moins 10 kg et ne doit pas être situé à plus de 2 m de hauteur. L'épaisseur du support de montage VESA doit être comprise entre 1,6 et 2,0 mm.

### ■ 3.8 How to use the Touch Panel

Touch panel brings digital life for an easy touch experience. Experience the ease of managing your digital life with a few touches. Your touch functions like a mouse device and all you need to interact with the touch panel.

1. Touch = left-click on the mouse
2. Touch and hold = right-click on the mouse



### ■ 3.9 Cleaning the screen

Follow these rules for cleaning the outside and handling your screen on the panel PC :

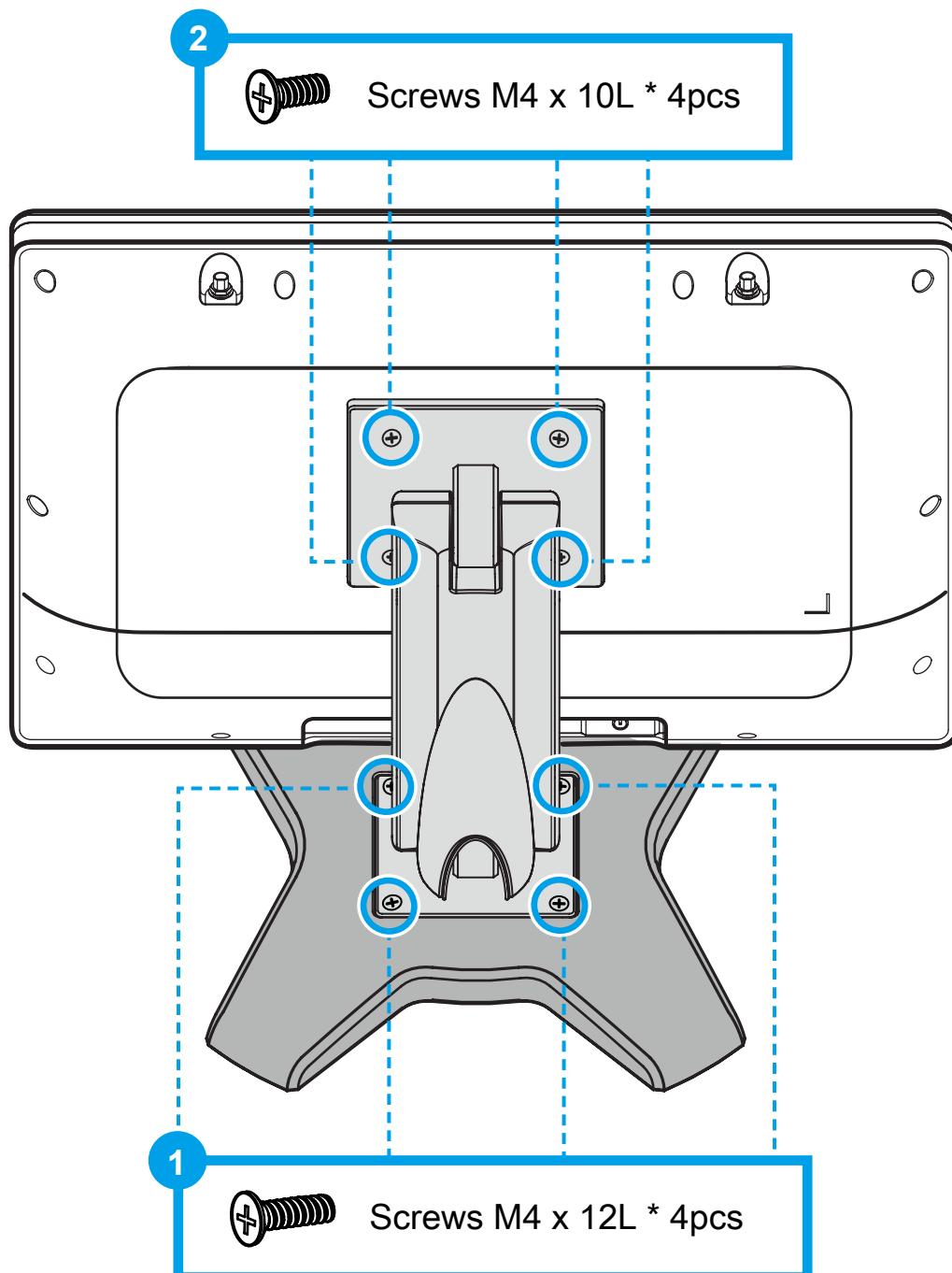
1. Moisten a soft cloth with a little water or alcohol (max. 75%) to clean the screen. Please never spray alcoholic cleaning agents directly onto the touchscreen.
2. Note that only the front side is IP65 protected. Be sure to avoid moisture on the other components.



**CAUTION:** Do not use or spray strong solvents such as benzine, thinner or any other solvent.

### ■ 3.10 Using the Vertical Stand (optional)

1. Tighten the vertical stand securely with four screws (M4 x 12L)
2. Properly tighten the vertical stand with four screws (M4 x 10L) at the rear of the Panel PC.



# BIOS Setup

---

## ■ 4.1 About BIOS Setup


The default BIOS (Basic Input/Output System) is already properly configured and optimized, there is normally no need to run this utility.

### ■ 4.1.1 When to Use BIOS Setup ?

You may need to run the BIOS Setup when:

- An error message appears on the screen during the system booting up and is requested to run SETUP.
- You want to change the default settings for customized features.
- You want to reload the default BIOS settings.

---

 **CAUTION!** We strongly recommend that you change the BIOS settings only with the help of a trained service personnel.

---

### ■ 4.1.2 How to run BIOS Setup ?

To run the BIOS Setup Utility, turn on the panel PC and press the [Del] or [F2] key during the POST procedure.


If the message disappears before you respond and you still wish to enter Setup, either restart the system by turning it OFF and ON, or simultaneously pressing [Ctrl]+[Alt]+[Del] keys to restart.

The setup function only can be invoked by pressing [Del] or [F2] key during POST that provide an approach to change some setting and configuration the user prefer, and the changed values will save in the NVRAM and will take effect after the system rebooted.


Press [F7] key for Boot Menu.

---

· When OS support is Windows 11 :

1. Click the "Start  menu" and select "Settings".
2. Select "Windows Update" and Click "Advanced options".
3. Click "Recovery".
4. Under "Advanced startup", click "Restart now".  
The system will restart and show the Windows 11 boot menu.
5. Select "Troubleshoot".
6. Choose "Advanced options".
7. Select "UEFI Firmware Settings".
8. Click "Restart" to restart the system and enter UEFI (BIOS).

· When OS support is Windows 10 :

1. Click the "Start  menu" and select "Settings".
2. Select "Update and Security".
3. Click "Recovery".
4. Under "Advanced startup", click "Restart now".  
The system will restart and show the Windows 10 boot menu.
5. Select "Troubleshoot".
6. Choose "Advanced options".
7. Select "UEFI Firmware Settings".
8. Click "Restart" to restart the system and enter UEFI (BIOS).