

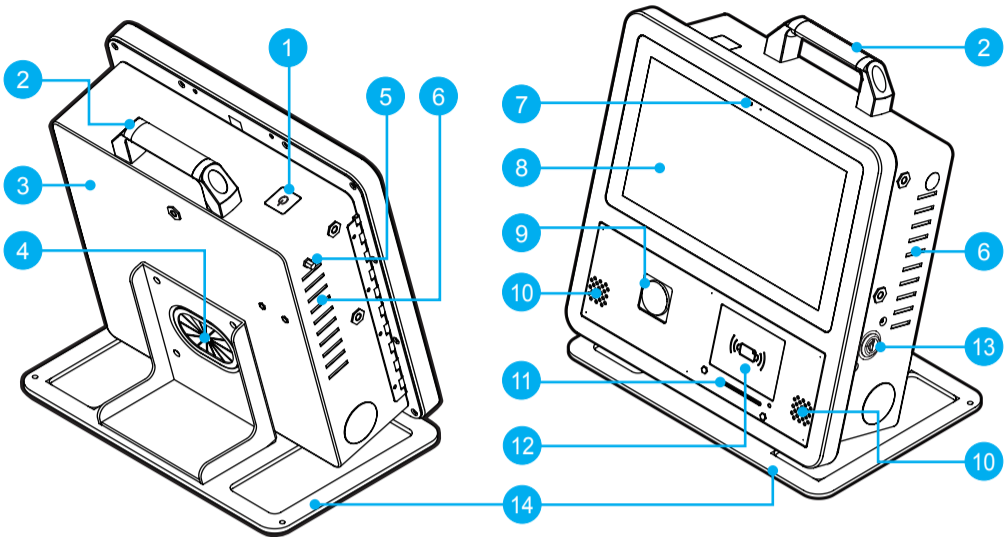
Kiosk K11 Series 互動式資訊服務站

Quick Start Guide 快速啓用指南

Shuttle®
www.shuttle.com

Copyright © 2021, Shuttle Corporation. All Rights Reserved

Product Overview 產品外觀

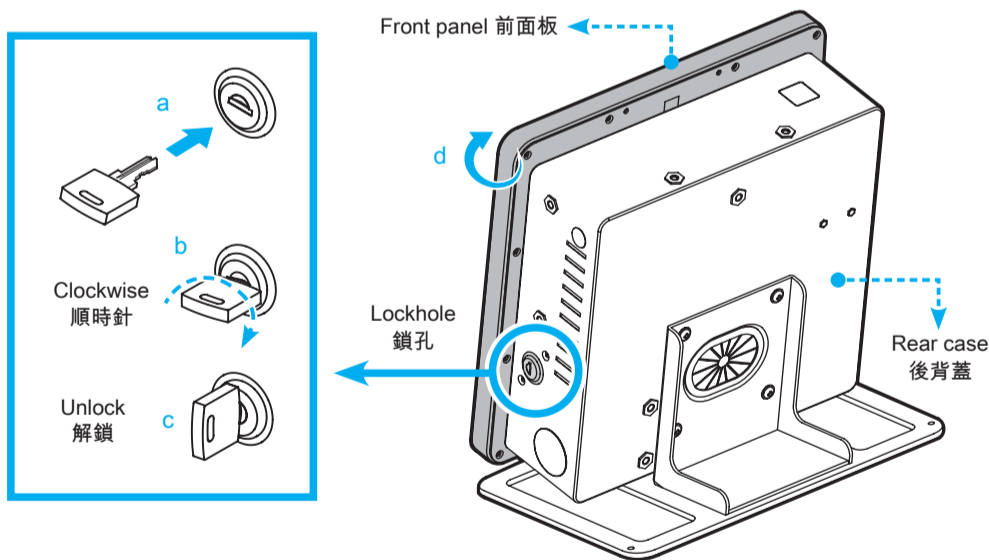


- | | | |
|--|-----------------------------------|---|
| 1. Power switch
電源開關按鈕 | 6. Thermal vent
散熱孔 | 11. IC card reader
IC 晶片讀卡機 |
| 2. Handle
把手 | 7. Webcam
網路攝影機 | 12. NFC RFID reader
感應讀卡機 |
| 3. Rear case
後背蓋 | 8. 11" Touch display
11" 觸控顯示器 | 13. Front panel's lockhole
前面板鎖孔 |
| 4. Cable hole
集線孔 | 9. Barcode scanner
條碼掃描器 | 14. Counter mount (optional)
台面安裝 (選配) |
| 5. Connector for wifi antennas
Wifi 天線連接埠 | 10. Speakers
揚聲器 | |

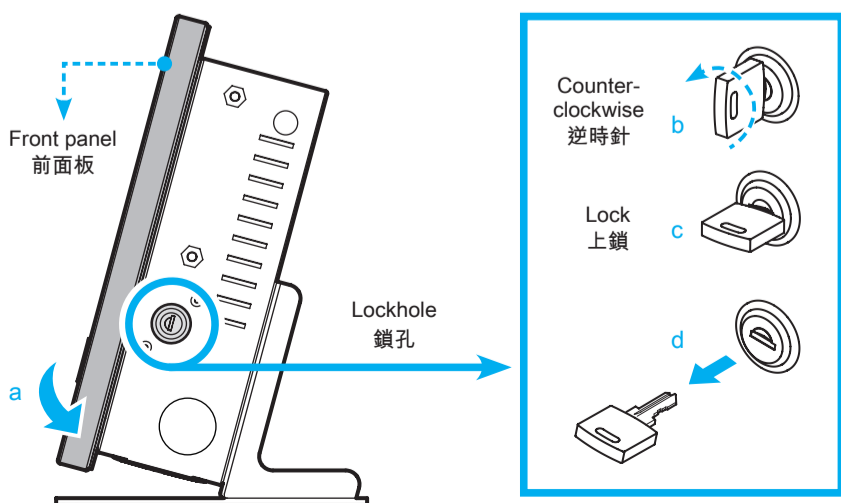
Opening / Closing the Kiosk 打開 / 關閉 Kiosk

! For safety reasons, please ensure that the power cord is disconnected before opening the case. Do not attempt to open the system unless by authorized qualified personnel.
基於安全考量, 打開機箱時, 請先拔除電源線。切勿自行打開機箱, 必需經授權的專業人員方能打開機箱。

1. Insert the key into the lockhole at the rear case and turn it clockwise to open the front panel.
將鑰匙插入機箱後背蓋上的鎖孔, 然後順時針旋轉以打開前面板。

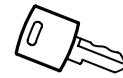
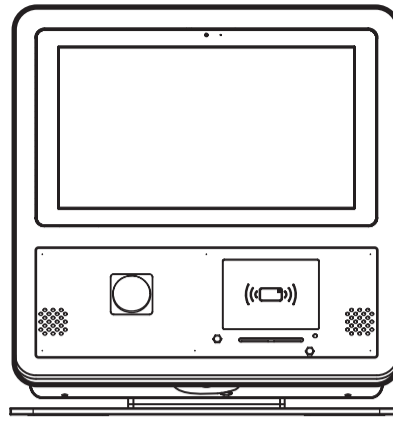


2. Close the front panel in reverse order and remove the key.
關閉前面板並用鑰匙以反方向上鎖, 並取下鑰匙。

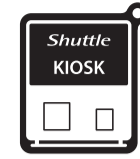


Package Contents 包裝內容物

Kiosk K11WL02/K11RK02 (x1)



The key to the case rear door. (x2)
機箱後背門的鑰匙 (x2)



Magnetic Keychain (x1)
磁鐵鑰匙圈 (x1)

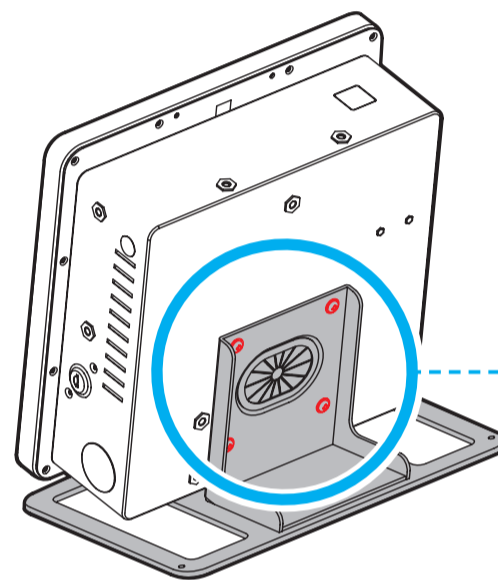


Wi-Fi Antenna (x1) Wi-Fi 天線 (x1)

i The product's colour and specifications may vary from the actually shipping product. Should any accessories be required, please contact Shuttle or your relevant supplier.
出貨機種顏色及規格配備, 以實際出貨機種為準。
如果需要任何配件, 請直接洽詢 Shuttle 或當地供應商。

Counter mount Installation (optional) 台面安裝 (選配)

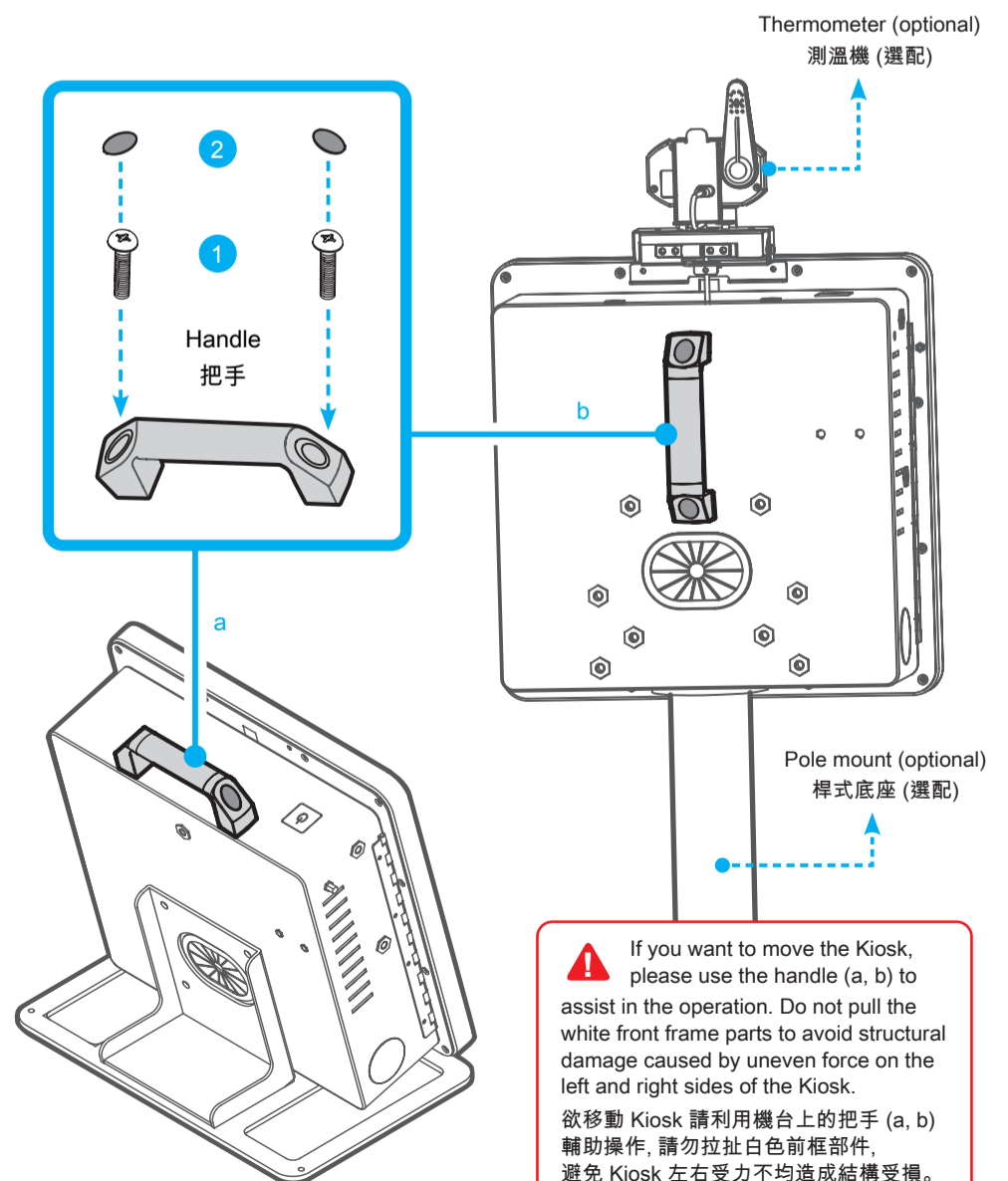
As shown, install the counter mount and secure with the four screws.
如圖所示, 安裝台面, 並鎖上四顆螺絲固定。



Counter Mount 100 x 100 mm
Screws M6 x 12L * 4pcs
台面安裝 100 x 100 公釐
螺絲 M6 x 12L * 4顆

Handle Installation 把手安裝

1. Install the handle and secure with the two screws.
安裝把手, 並鎖上兩顆螺絲固定。
2. Gently push the two rubber cover into the two screw holes until it properly sits in place.
輕壓 2 個橡膠蓋於 2 個螺絲孔中, 直至其正確就位。

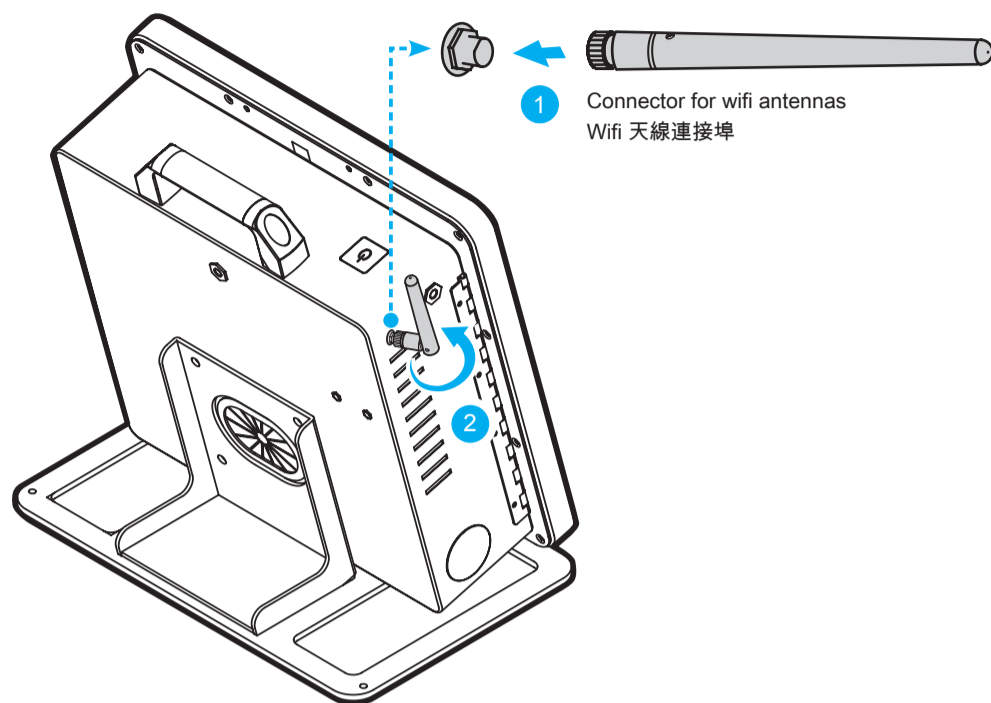


! If you want to move the Kiosk, please use the handle (a, b) to assist in the operation. Do not pull the white front frame parts to avoid structural damage caused by uneven force on the left and right sides of the Kiosk.
欲移動 Kiosk 請利用機台上的把手 (a, b) 輔助操作, 請勿拉扯白色前框部件, 避免 Kiosk 左右受力不均造成結構受損。

Wifi Antennas Installation (optional) Wifi 天線安裝 (選配)

Take the antennas out of the accessory box. Screw the included antennas on the appropriate connector at the rear case. Make sure it is aligned vertically or horizontally to achieve the best possible signal reception.

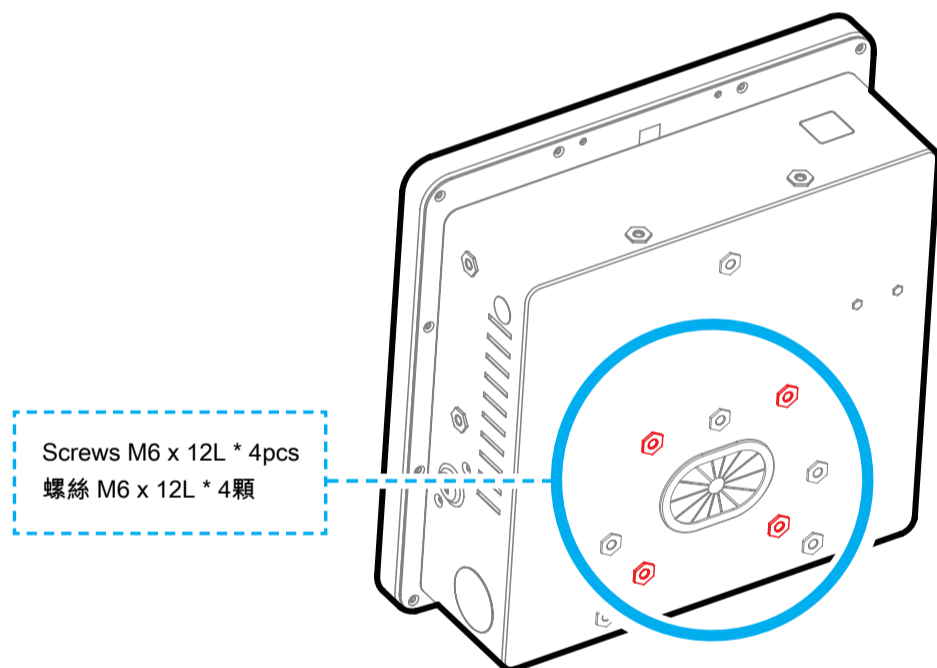
從配件盒中取出天線。將隨附的天線擰緊到機箱後背蓋上相應的連接埠上。確保它對準了垂直或水平方向，以達到最佳的信號接收。



VESA mounting to the wall (optional) 吊掛於牆上 (選配)

The standard VESA openings show where an arm / wall mount kit which is available separately can be attached.

符合標準 VESA 規格，可以將您所購買的 VESA 壁 / 臂支架輕鬆安裝到 VESA 標準螺孔中。



! The K11 series can be wall-mounted using a VESA compatible 100 mm x 100 mm wall / arm bracket. The maximum load capacity is 25 kg and mounting suitable in heights of ≤ 2 m only.

K11 series 可使用與 VESA 兼容的 100 mm x 100 mm 壁 / 臂支架進行壁掛式安裝。最大負載能力為 25 kg，僅適合在 ≤ 2 m 的高度安裝。

Le Série K11 peut être fixé au mur ou à un bras à l'aide d'un support VESA 100x100 mm. Le support doit être conçu pour une charge d'au moins 25 kg et ne doit pas être situé à plus de 2 m de hauteur.

Powering on the system 開啟系統電源

1. Connect the two power cords to a wall outlet.

將兩條電源線連接到牆上插座。

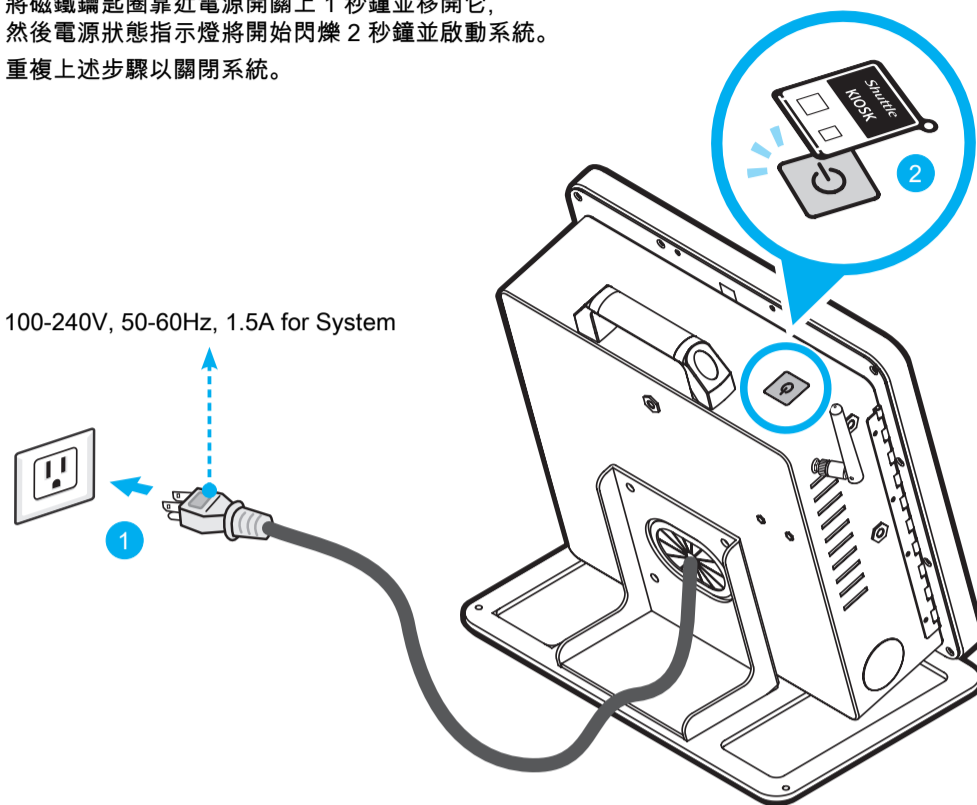
2. Place the magnetic keychain against the power switch for 1 seconds and remove it, then the power status LED will start to blink for 2 seconds and turn on the system.

Repeat the steps above to turn off the system.

將磁鐵鑰匙圈靠近電源開關上 1 秒鐘並移開它，然後電源狀態指示燈將開始閃爍 2 秒鐘並啟動系統。

重複上述步驟以關閉系統。

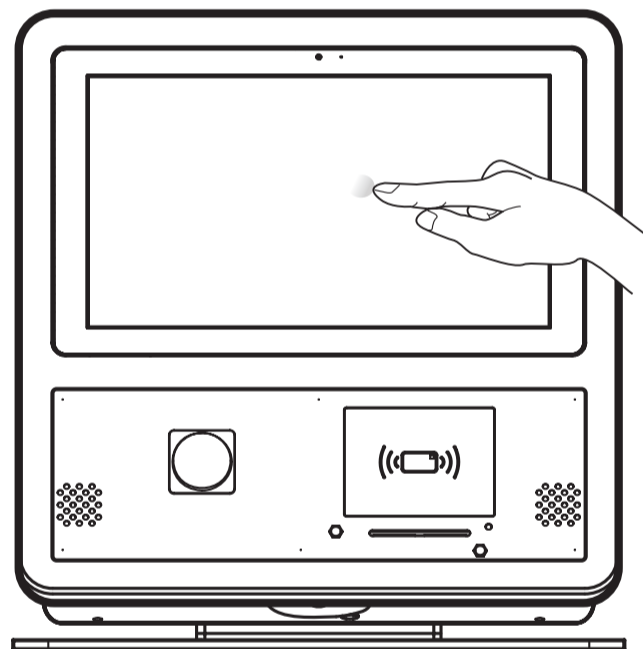
100-240V, 50-60Hz, 1.5A for System



How to use the Touch Panel 如何使用觸控螢幕

The touch of your finger replaces the input devices and is all you need to operate the Kiosk.

啟動 Kiosk 之後，只需用手指取代一般的滑鼠游標輕觸螢幕使用即可。



! Cleaning the screen: Turn off the system and disconnect all cables. Use a cleaning cloth which is soft, lint-free and a little damp to gently wipe the screen surface. Do not spray liquids directly onto the device.

清潔螢幕：關閉系統並且將所有的電源變壓器拔除。請使用微濕的清潔布或柔軟且不起絨毛的布料輕輕地擦拭螢幕的表面。不要直接地噴灑液體在螢幕的表面。

! Incorrectly replacing the battery may damage this computer. Replace only with the same or equivalent as recommended by Shuttle. Dispose of used batteries according to the manufacturer's instructions.

更換電池方式錯誤可能會損壞本電腦以及引發爆炸、火災或其他危險。僅能依Shuttle的建議，以相同或同等的電池更換。請依照製造商的使用說明處理廢電池。

Warning: This is Class A product. In a domestic environment this product may cause radio interference in which case the user may be required to take adequate measures.

警語：這是甲類產品。在家庭環境中，本產品可能會造成無線電干擾，在這種情況下，用戶可能需要採取適當的措施。

Kiosk is recommended to be used in an indoor environment to avoid exposure to a humid environment. If it is not used for a long time, it is recommended to be moisture-proof to avoid affecting the life of the appliance; if it is in a humid environment, it is normal to produce a little fog in front of the screen. It can be automatically eliminated after a period of normal use.

Kiosk 建議使用於室內環境，避免暴露在潮濕的環境下，長時間不使用的情况下，建議做好防潮避免影響電器壽命；若處於潮濕的環境下，開機後在螢幕前方產生一些微霧氣為正常現象，在正常使用一段時間後即可自動消除。

- for PLUGGABLE EQUIPMENT, the socket-outlet shall be installed near the equipment and shall be easily accessible. 對插接式之設備，插座必須接近安裝之地點而且是易於觸及的。

- That all power sources shall be disconnected before servicing to avoid shock hazard. 在維修之前應斷開所有電源，以避免電擊危險。

The unit can be operated at an ambient temperature of max. 35°C (95°F).

Do not expose it to temperature below 5°C (41°F) or above 35°C (95°F).

本產品最高操作溫度為 35°C (95°F)。請勿在低於 5°C (41°F) 或高於 35°C (95°F) 的環境中使用本產品。

1. 警語 (於產品本體、說明書及外包裝標示): 使用過度恐傷害視力。

2. 注意事項 (於產品說明說及外包裝標示): (1) 使用30分鐘請休息10分鐘。

(2) 2歲以下幼兒不看螢幕，兩歲以上每天看螢幕不要超過1小時。

➤ Stability of equipment 設備的穩定性

- Do not place the product in an unstable location. 勿置放產品於不穩固之位置。

- Arrange the wires and cables connected to the product to prevent tripping, pulling or entanglement.

將連接至產品之電線及電纜加以整理，使其不至發生絆倒，拉扯或纏繞。

- Make sure the product does not hang over the edge of the supporting furniture. 確保產品不會懸垂於支撐傢俱之邊緣。

- Do not place the product on supporting furniture higher than 1 meter. 勿放置產品在高於1公尺之支撐傢俱上。

- Do not place objects that attract children to climb, such as toys. 勿放置吸引兒童攀爬之物，如：玩具。