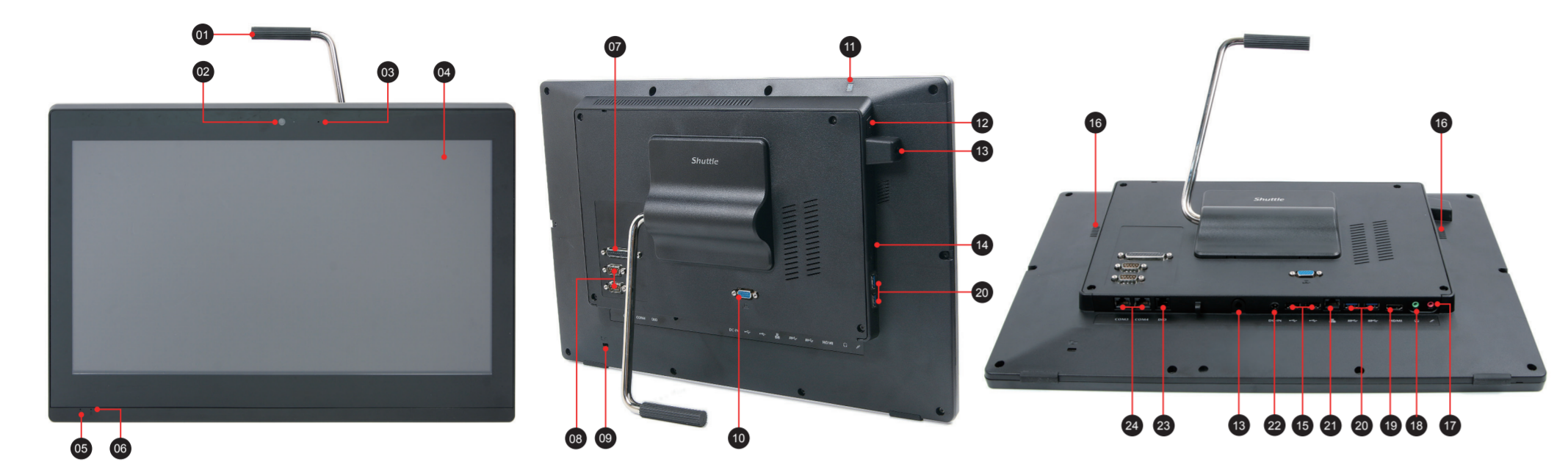




More information on this product can be found at: <http://bit.ly/P92USERIES>
 更多本產品資訊，請蒞臨：<http://bit.ly/P92USERIES>
 Weitere Informationen zu diesem Produkt finden Sie unter: <http://bit.ly/P92USERIES>
 Pour plus d'informations sur ce produit, visitez: <http://bit.ly/P92USERIES>

Puede encontrar más información sobre este producto en: <http://bit.ly/P92USERIES>
 本製品の詳細な情報については、次のURLより確認頂けます。<http://bit.ly/P92USERIES>
 Для получения дополнительной информации об этом продукте перейдите по ссылке: <http://bit.ly/P92USERIES>
 更多本產品資訊，請訪問：<http://bit.ly/P92USERIES>

Product Overview \ 產品外觀 \ Produktübersicht \ Présentation du produit \ Resumen del producto \ 製品概要 \ Обзор продукта \ 产品外观



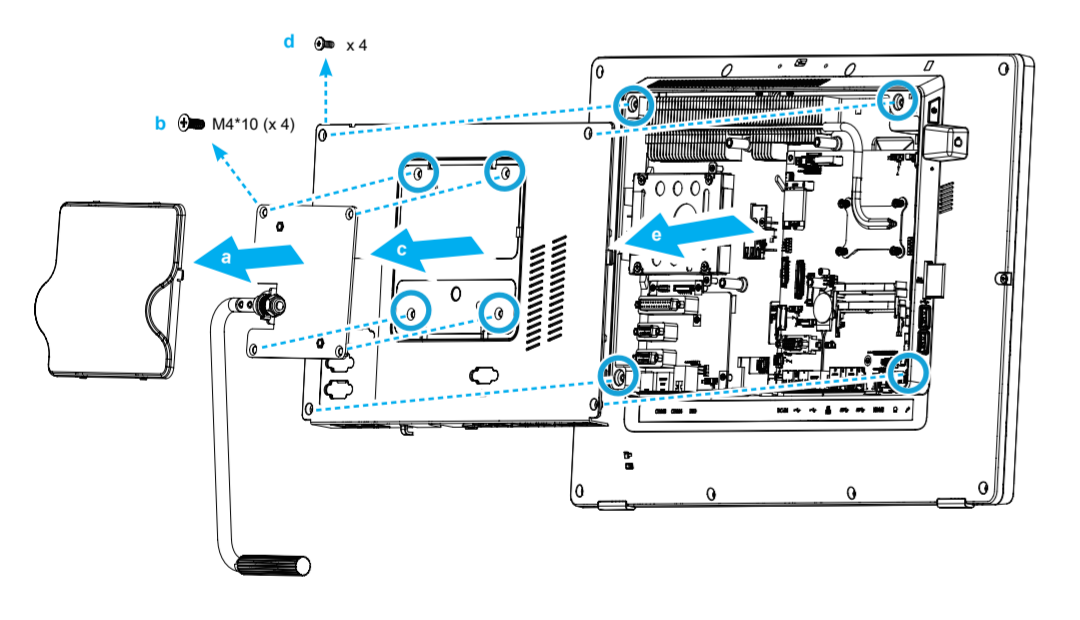
- | | | | |
|-------------------------------|--------------------------------------|---|--|
| 01. Stand / Handle | 07. Parallel port (optional) | 13. Two 4G external antennas (optional) | 19. HDMI port |
| 02. Webcam | 08. COM 1 and COM 2 ports (optional) | 14. SD card reader | 20. USB 3.2 Gen 1 ports |
| 03. Microphone | 09. Kensington® Lock hole | 15. USB 2.0 ports | 21. LAN (RJ45) port |
| 04. LCD display (Multi-touch) | 10. D-Sub (VGA) port | 16. Stereo speakers | 22. Power jack (DC-IN) |
| 05. Power LED | 11. NFC (optional) | 17. Microphone jack | 23. Cash drawer (RJ11) port (optional) |
| 06. Hard disk drive LED | 12. Power button | 18. Headphone / Line-out jack | 24. COM 3 and COM 4 ports (optional) |

Hardware Installation \ 硬體安裝 \ Hardware Installation \ Installation du matériel \ Instalación de hardware \ ハードウェアのインストール \ Установка оборудования \ 硬件安裝

A. Begin Installation

⚠ For safety reasons, please ensure that the power cord is disconnected before opening the case.

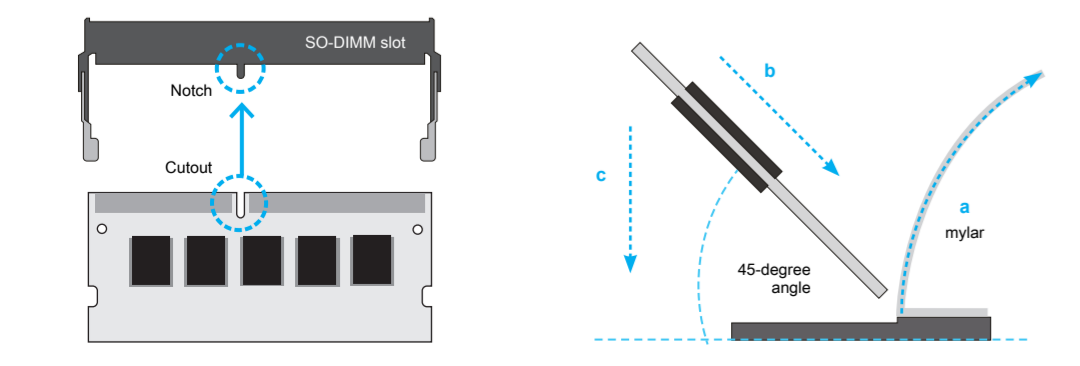
1. Remove the cover from the back of the P92U first, unscrew four screws of the stand mount and remove the stand.
2. Unscrew four screws of the back cover and remove it.



B. Memory Module Installation

⚠ This motherboard does only support 1.2 V DDR4 SO-DIMM memory modules.

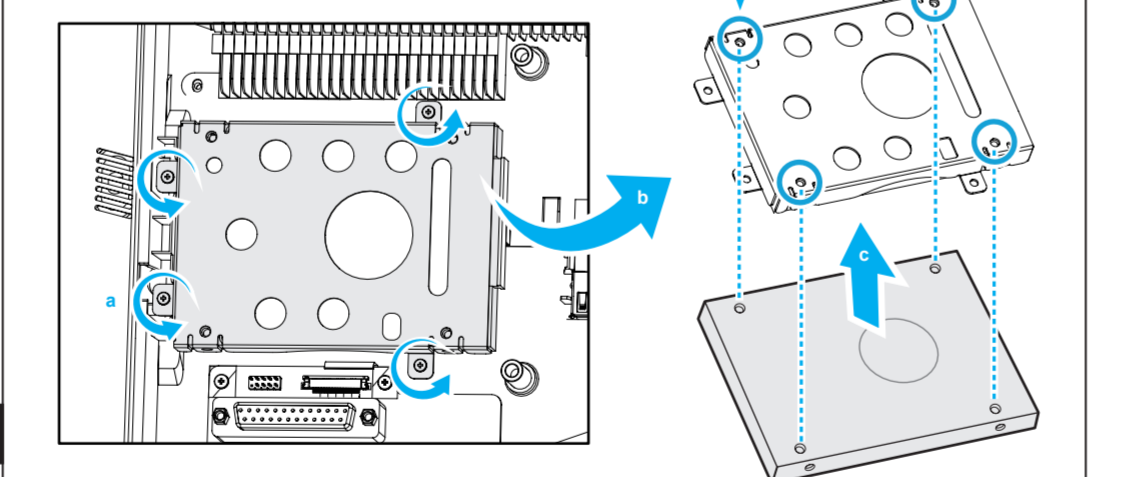
1. Locate the SO-DIMM slots on the motherboard and lift the mylar (Don't tear the mylar off).
2. Align the notch of the memory module with the one of the relevant memory slot.
3. Gently insert the module into the slot in a 45-degree angle.



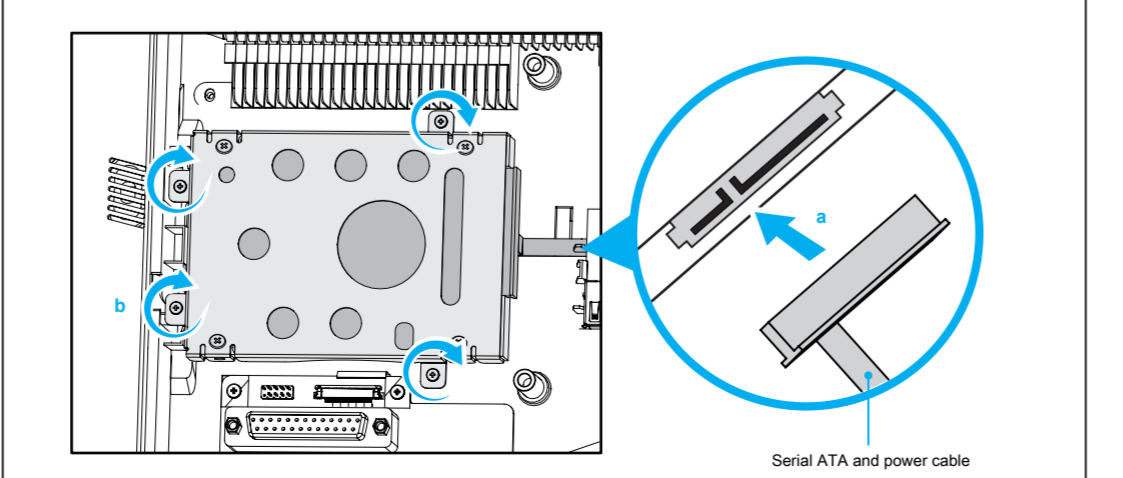
4. Carefully push down the memory module until it snaps into the locking mechanism and put back the mylar.
5. Repeat the above steps to install an additional memory module, if required.

C. HDD or SSD Installation

1. Unscrew four screws of the bracket and remove it.
2. Mount the HDD or SSD into the bracket with four screws.

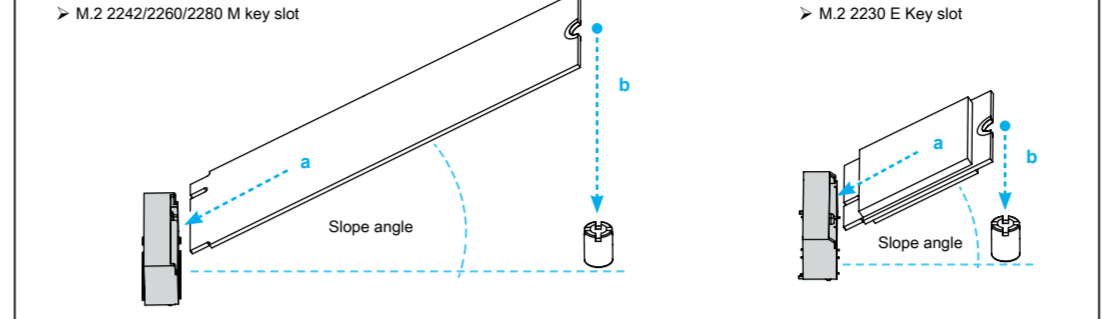


3. Connect the Serial ATA and power cable to the HDD or SSD.
4. Install the HDD or SSD & bracket in the chassis and tighten the HDD or SSD & bracket with four screws.

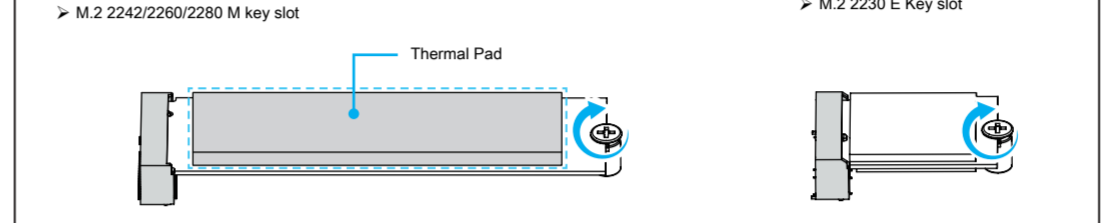


D. M.2 Device Installation

1. Locate the M.2 key slots on the motherboard.



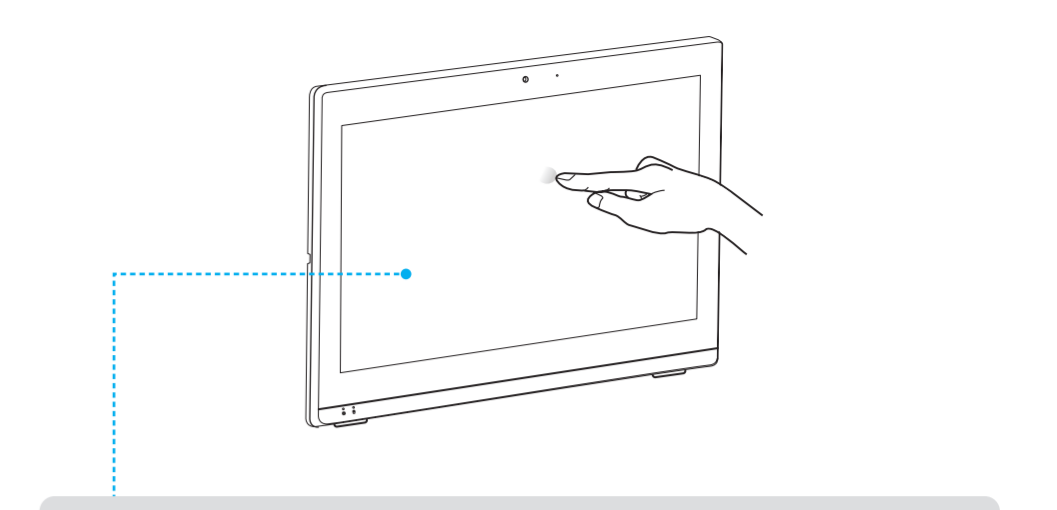
2. Install the M.2 device into the M.2 slot and secure with the screw.



⚠ Pasting a thermal pad on the M.2 SSD can effectively reduce its temperature.

How to use the Touch Panel

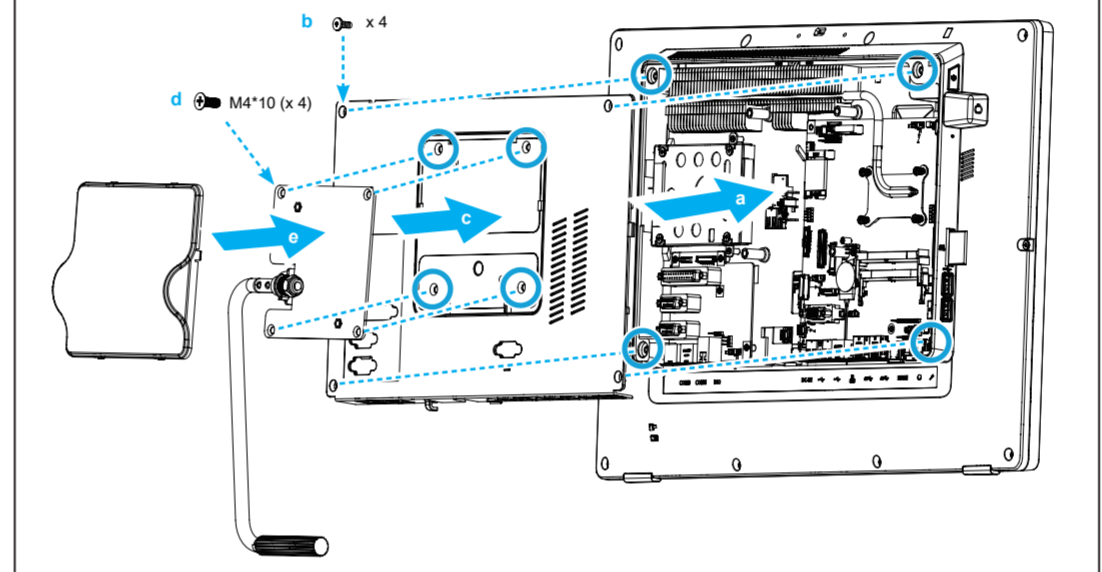
The touch of your finger replaces the input devices and is all you need to operate the P92U.



⚠ Cleaning the screen
 Follow these guidelines for cleaning the outside and handling the screen of the computer:
 Turn off the system and disconnect all cables. Use a cleaning cloth which is soft, lint-free and a little damp to gently wipe the screen surface. Do not spray liquids directly onto the device.

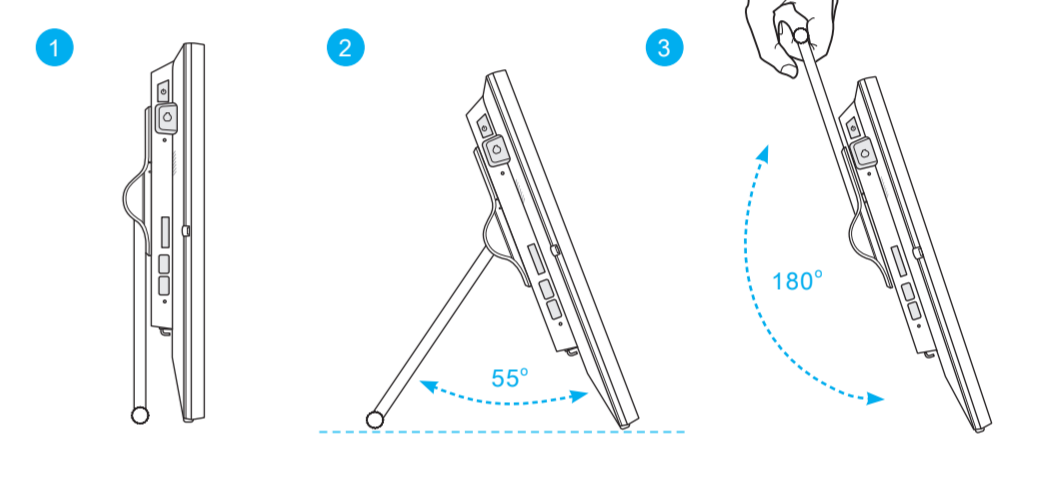
E. Complete

1. Replace the back cover. Refasten the stand and the back cover with eight screws.
2. Replace the cover, complete.



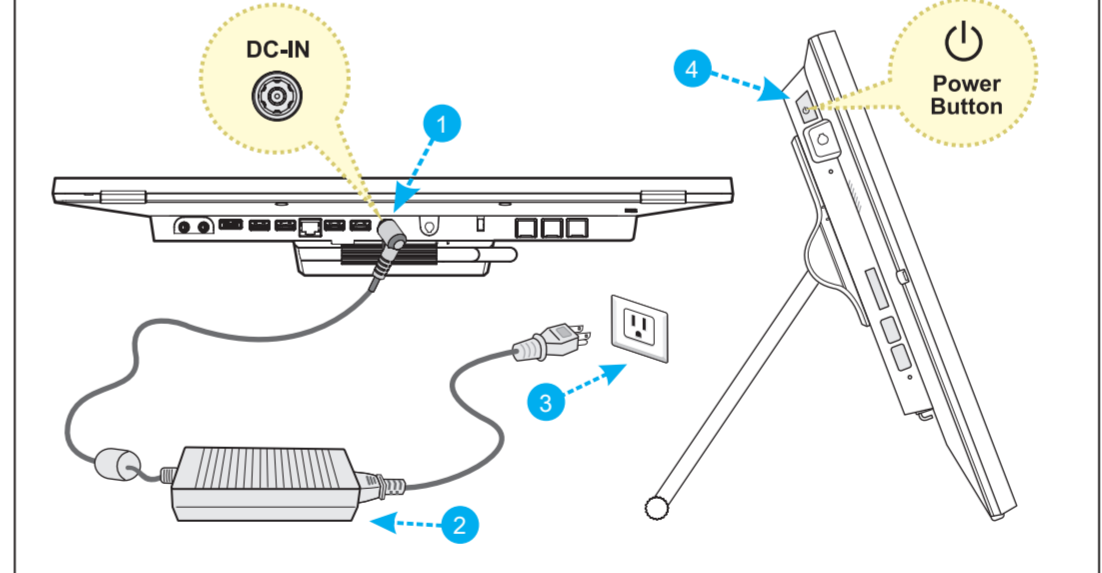
Placing on a desk

1. Place the P92U on a flat surface such as a table.
2. Pull the stand upwards to an angle of 55°.
3. To carry or move your P92U, fully extend the angle to 180°.



Powering on the system

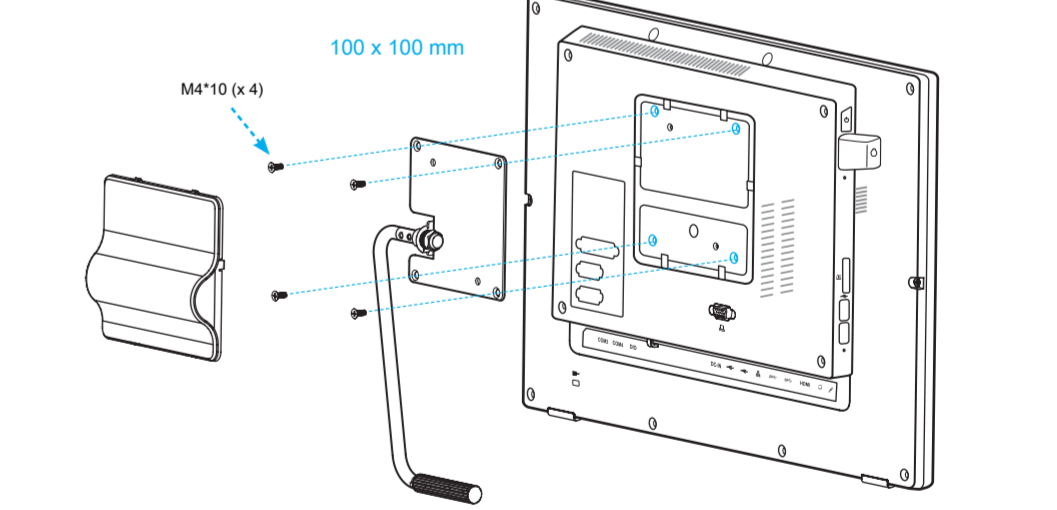
Follow the steps (1-3) below to connect the AC adapter to the power jack (DC-IN). Press the (4) Power button to turn on the system.



⚠ Please press the "Del" key while booting to enter BIOS. Here, please load the optimised BIOS settings.

VESA mounting it to the wall

If you are mounting your P92U to the wall, remove the cover from the back of the P92U first. Unscrew four screws of the stand mount and remove the stand. The VESA standard makes it easy to mount the P92U on to walls. Please refer to the user guide of the wall/arm mount kit you bought separately how to install it.



⚠ The P92U can be mounted to a wall using a VESA compatible 100 x 100 mm wall/arm bracket.

Safety Information / 安全資訊 / Sicherheitshinweise / Informations de sécurité / Información de seguridad / 安全に関する情報 / Информация о безопасности / 安全信息

⚠ Incorrectly replacing the battery may damage this computer. Replace only with the same or equivalent as recommended by Shuttle. Dispose of used batteries according to the manufacturer's instructions.
 更換電池方式錯誤可能會損壞本電腦。僅能依 Shuttle 的建議，以相同或同等的電池更換。請依照製造商的使用說明處理廢電池。
 Das unkorrekte Austauschen der Batterie kann diesen Computer beschädigen. Ersetzen Sie die Batterie nur durch den von Shuttle empfohlenen Typ oder ein gleichwertiges Modell. Entsorgen Sie gebrauchte Batterien gemäß den Herstellerangaben.
 Ne pas remplacer correctement la pile peut endommager l'ordinateur. Remplacez-la uniquement par un modèle identique ou un équivalent comme recommandé par Shuttle. Débarrassez-vous des piles usagées d'après les instructions du constructeur.
 La sustitución incorrecta de la batería puede dañar este equipo. Sustituya la batería únicamente por una igual o equivalente recomendada por Shuttle. Deseche las baterías usadas según las instrucciones del fabricante.
 Батарею не следует заменять неправильно. Заменяйте батарею только на такую же или эквивалентную, рекомендованную Shuttle. Утилизация использованной батареи должна следовать инструкции производителя.
 更換電池方式錯誤可能會損壞本電腦。僅能依 Shuttle 的建議，以相同或同等的電池更換。請依照製造商的使用說明處理廢電池。

The product's colour and specifications may vary from the actually shipping product.

This device complies with Part 15 of the FCC Rules. Operation is subject to the following two conditions: (1) this device may not cause harmful interference, and (2) this device must accept any interference received, including interference that may cause undesired operation.
 This device meets the requirements for the EU conformity in accordance to the currently valid EU directives.
 Dieses Produkt erfüllt die Anforderungen für die EU-Konformität entsprechend der aktuell geltenden EU-Richtlinien.
 Ce produit répond aux exigences de la conformité UE suivant les directives européennes actuellement en vigueur.
 注意：仅适用于在非热带气候条件下安全使用。在热带气候条件下使用时，可能有安全隐患。
 注意：允许产品使用的最高环境温度为 40°C。
 * The equipment was evaluated for use in a maximum air ambient temperature of 40 °C.
 產品宣告最大適用環境溫度為 40 °C。
 注意：仅适用于海拔 2000m 以下安全使用，在海拔 2000m 以上使用时，可能有安全隐患。
 All bundled parts, power cord included, shall not be used without this product.
 電源ケーブル等、すべての付属品は本機以外ではご使用になれません。

