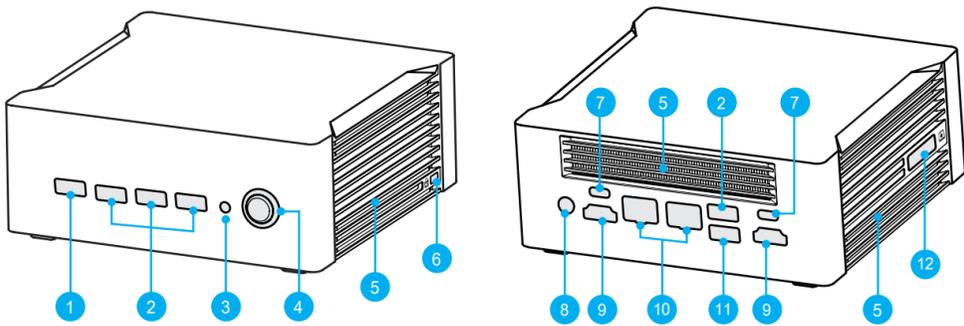


More information on this product can be found at: <https://bit.ly/NT10H>
 更多本產品資訊，請蒞臨：<https://bit.ly/NT10H>
 Weitere Informationen zu diesem Produkt finden Sie unter: <https://bit.ly/NT10H>
 Pour plus d'informations sur ce produit, visitez: <https://bit.ly/NT10H>

Puede encontrar más información sobre este producto en: <https://bit.ly/NT10H>
 本製品の詳細な情報については、次のURLより確認頂けます。<https://bit.ly/NT10H>
 Для получения дополнительной информации об этом продукте перейдите по ссылке: <https://bit.ly/NT10H>
 更多本產品資訊，請蒞臨：<https://bit.ly/NT10H>

Product Overview

產品外觀 \ Produktübersicht \ Présentation du produit
 Resumen del producto \ 製品概要 \ Обзор продукта \ 产品外观



- 1. USB 3.2 Gen2 Type-A port power rating USB 3.2: 0.9A (always on)
- 2. USB 3.2 Gen2 Type-A ports
- 3. Headphone / Mic in jack
- 4. Power button / Power LED
- 5. Ventilation Hole
- 6. Kensington® Lock Hole
- 7. USB 4.0 Type-C Ports (with DisplayPort / Power Delivery)
- 8. Power Jack (DC IN)
- 9. HDMI 2.0 Ports
- 10. LAN Ports
- 11. USB 2.0 Port
- 12. SD Card Reader

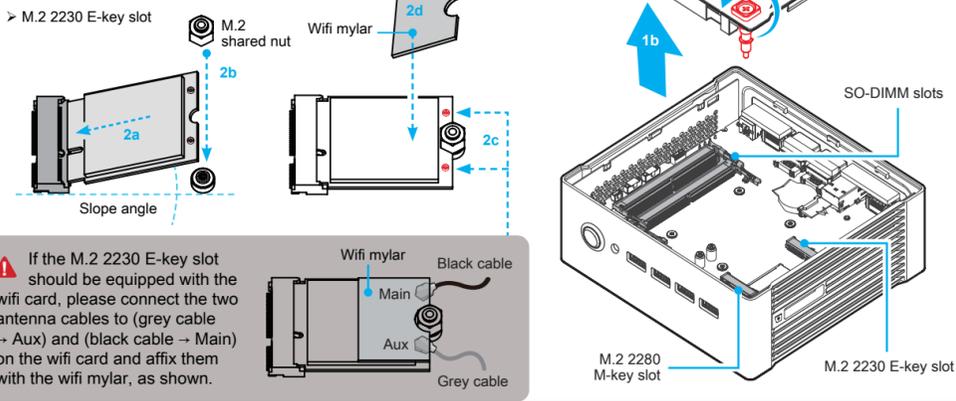
Hardware Installation

硬體安裝 \ Hardware Installation \ Installation du matériel \ Instalación de hardware
 ハードウェアのインストール \ Установка оборудования \ 硬件安裝

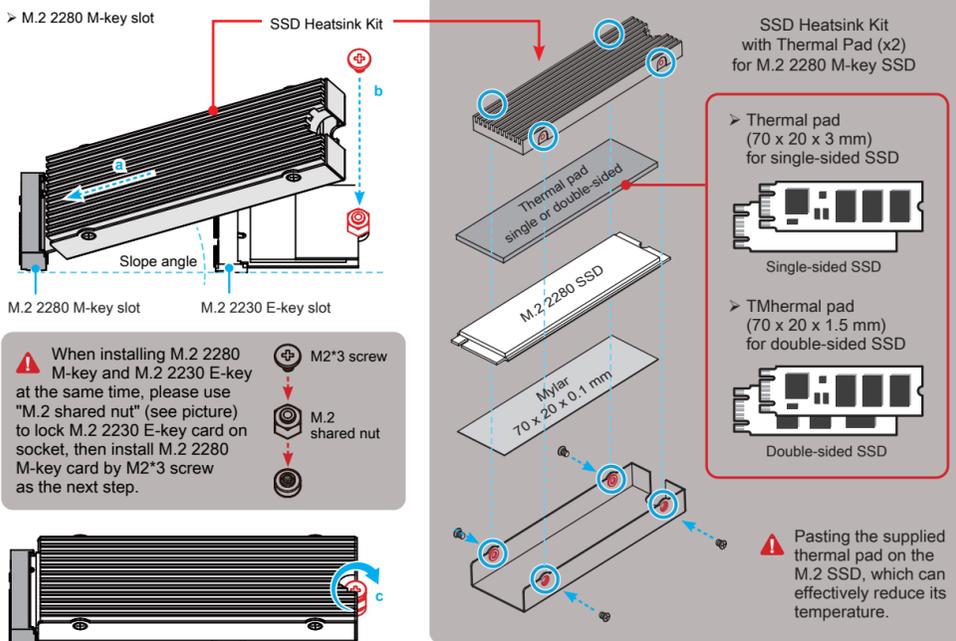
A. M.2 Device, Memory Module Installation

For safety reasons, please ensure that the power cord is disconnected before opening the case.

- Unscrew four screws of the back cover and remove it.
- Locate the M.2 key slots on the motherboard. Install the M.2 device into the M.2 slot and secure with the screw.



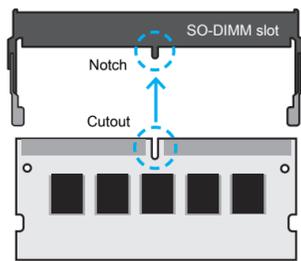
The product's colour and specifications may vary from the actually shipped product.



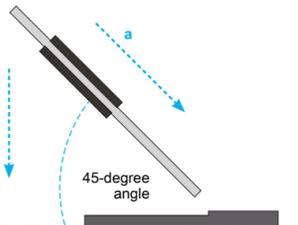
- Locate the SO-DIMM slots on the motherboard.

This motherboard does only support 1.1 V DDR5 SO-DIMM memory modules.

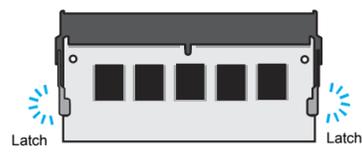
- Align the notch of the memory module with the one of the relevant memory slot.



- Gently insert the module into the slot in a 45-degree angle.

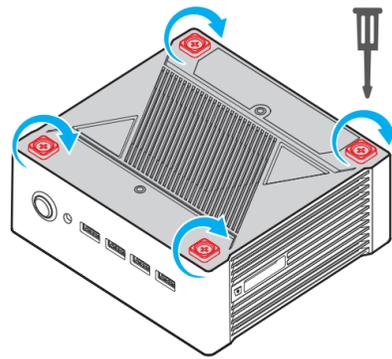


- Carefully push down the memory module until it snaps into the locking mechanism.



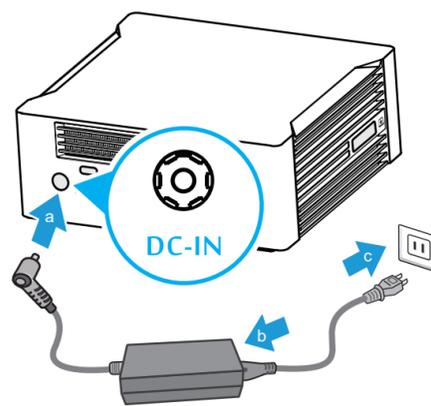
- Repeat the above steps to install an additional memory module, if required.

- Please replace and affix the case cover with four screws.



B. Connecting to Power

- Follow the steps (a-c) below to connect the AC adapter to the power jack (DC-IN).
- Press the power button to turn on the system.



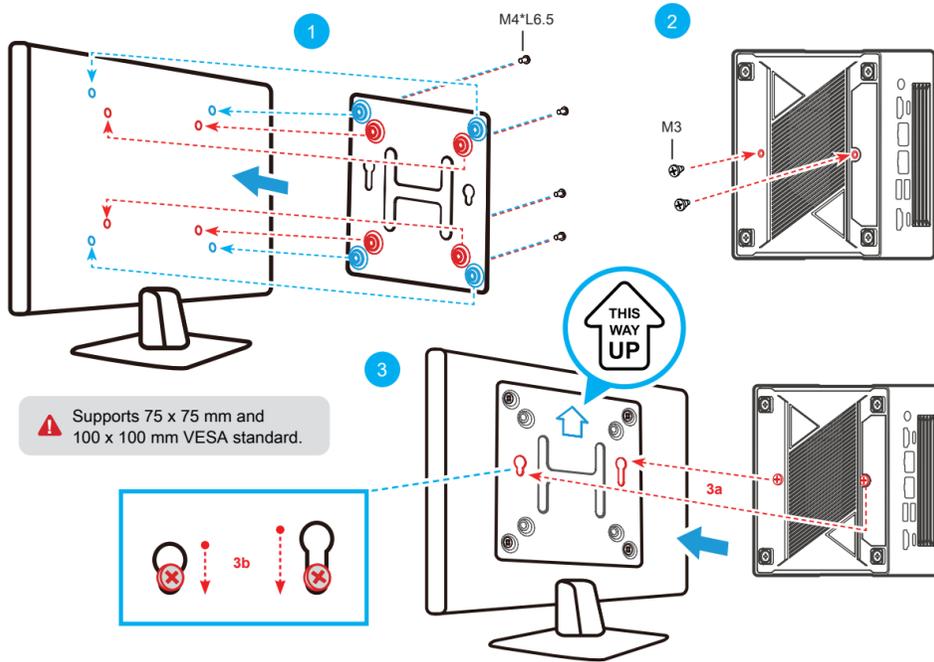
Do not use inferior extension cords as this may result in damage to your NT10H. The NT10H comes with its own AC adapter. Do not use a different adapter to power the NT10H and other electrical devices.

To put your NT10H on Sleep mode, press the "Power button" once. If the NT10H is frozen or slow to respond, press and hold the "Power button" at least for 10 seconds to force it shutdown.

Please press the "Del" key while booting to enter BIOS. Here, please load the optimised BIOS settings.

Installation of VESA Mount

Follow the steps 1-3 to install the VESA mount.



Safety Information

安全資訊 \ Sicherheitshinweise \ Informations de sécurité \ Información de seguridad
 安全に関する情報 \ Информация о безопасности \ 安全信息

Incorrectly replacing the battery may damage this computer. Replace only with the same or equivalent as recommended by Shuttle. Dispose of used batteries in accordance with the laws of your country.

更換電池方式錯誤可能會損壞本電腦以及引發爆炸、火災或其他危險。僅能依 Shuttle 的建議，以相同或同等的電池更換。請根據您所在國家/地區的法律規定處理廢電池。

Das unkorrekte Austauschen der Batterie kann diesen Computer beschädigen. Ersetzen Sie die Batterie nur durch den gleichen Typ oder ein gleichwertiges, von Shuttle empfohlenes Modell. Entsorgen Sie gebrauchte Batterien gemäß den gesetzlichen Vorschriften in Ihrem Land.

Ne pas remplacer correctement la pile peut endommager l'ordinateur. Remplacez-la uniquement par un modèle identique ou un équivalent comme recommandé par Shuttle. Éliminez les piles usagées conformément à la législation en vigueur dans votre pays.

La sustitución incorrecta de la batería puede dañar este equipo. Sustituya la batería únicamente por una igual o equivalente recomendada por Shuttle. Elimine las pilas usadas de acuerdo con los requisitos legales de su país.

Батарею не следует заменять, так как это может повредить компьютер. Заменяйте батарею только на такую же или эквивалентную, рекомендованную Shuttle. Утилизируйте использованные батареи в соответствии с законодательством вашей страны.

Неправильная замена батареи может привести к повреждению компьютера. Батарея должна соответствовать стандарту производителя Shuttle или быть идентичной предыдущей. Утилизируйте использованные батареи в соответствии с законодательством вашей страны.

更換電池方式錯誤可能會損壞本電腦。僅能依 Shuttle 的建議，以相同或同等的電池更換。請根據您所在國家/地區的法律規定處理廢電池。

This device complies with Part 15 of the FCC Rules. Operation is subject to the following two conditions:
 (1) this device may not cause harmful interference, and (2) this device must accept any interference received, including interference that may cause undesired operation.

CAN ICES-003(B) / NMB-003(B)

This device meets the requirements for the EU conformity in accordance to the currently valid EU directives. Dieses Produkt erfüllt die Anforderungen für die EU-Konformität entsprechend der aktuell geltenden EU-Richtlinien. Ce produit répond aux exigences de la conformité UE suivant les directives européennes actuellement en vigueur.

All bundled parts, power cord included, shall not be used without this product. 電源ケーブル等、すべての付属品は本機以外ではご使用になれません。

注意: 仅适用于海拔 2000m 以下安全使用，在海拔 2000m 以上使用时，可能有安全隐患。
 注意: 仅适用于在非热带气候条件下安全使用，在热带气候条件下使用时，可能有安全隐患。
 注意: 允许产品使用的最高环境温度为 40°C。
 * The equipment was evaluated for use in a maximum air ambient temperature of 40°C. 產品宣告最大適用環境溫度為 40°C。

WARNING THIS PRODUCT CONTAINS A BUTTON BATTERY

If swallowed, a lithium button battery can cause severe or fatal injuries within 2 hours. Keep batteries out of reach of children.

If you think batteries may have been swallowed or placed inside any part of the body, seek immediate medical attention.

The product contains non-replaceable batteries

The statement "remove and immediately recycle or dispose of used batteries according to local regulations and keep away from children. Do NOT dispose of batteries in household trash or incinerate."

- Remove and immediately recycle or dispose of used batteries according to local regulations and keep away from children. Do NOT dispose of batteries in household trash or incinerate.
- Even used batteries may cause severe injury or death.
- Call a local poison control center for treatment information.
- Indicating the compatible battery type CR2032.
- Indicating the nominal battery voltage.
- Non-rechargeable batteries are not to be recharged.
- Do not force discharge, recharge, disassemble, heat above (manufacturer's specified temperature rating) or incinerate. Doing so may result in injury due to venting, leakage or explosion resulting in chemical burns.

The unit can be operated at an ambient temperature of max. 40°C (104°F). Do not expose it to temperatures below 0°C (32°F) or above 40°C (104°F).

本產品最高操作溫度為 40°C (104°F)。請勿在低於 0°C (32°F) 或高於 40°C (104°F) 的環境中使用本產品。

Das Gerät darf bis zu einer maximalen Umgebungstemperatur von 40°C (104°F) betrieben werden. Setzen Sie das Gerät nicht Temperaturen von unterhalb 0°C (32°F) bzw. oberhalb 40°C (104°F) aus.

L'appareil peut être utilisé à une température ambiante maximum de 40°C (104°F). Ne pas exposer l'appareil à une température inférieure à 0°C (32°F) ou supérieure à 40°C (104°F).

No utilice la unidad cuando la temperatura ambiente sea superior a 40°C (104°F). No someta el equipo a temperaturas inferiores a 0°C (32°F) ni superiores a 40°C (104°F).

本機器は周辺温度 40°C (104°F) までの環境で捜査することができます。0°C (32°F) 未満あるいは 40°C (104°F) を超える環境で使用しないでください。

Устройство может работать при температуре окружающей среды макс. 40°C (104°F). Не подвержайте воздействию температуры ниже 0°C (32°F) или выше 40°C (104°F).

本机运行时环境温度最高不能超过 40°C (104°F)。请勿在温度低于 0°C (32°F) 或高于 40°C (104°F) 的情况下使用。

