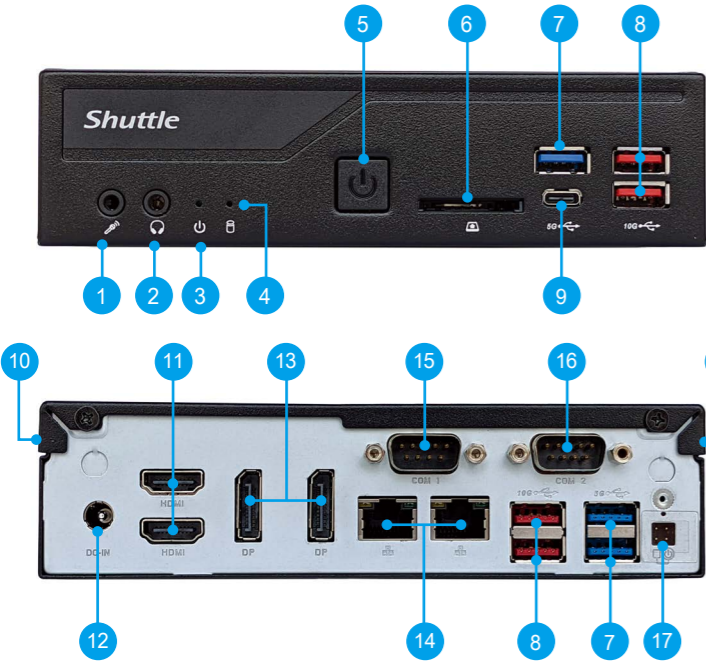


More information on this product can be found at: <http://bit.ly/S-DH670>  
 更多本產品資訊，請蒞臨：<http://bit.ly/S-DH670>  
 Weitere Informationen zu diesem Produkt finden Sie unter: <http://bit.ly/S-DH670>  
 Pour plus d'informations sur ce produit, visitez: <http://bit.ly/S-DH670>

Puede encontrar más información sobre este producto en: <http://bit.ly/S-DH670>  
 本製品の詳細な情報については、次のURLより確認頂けます。<http://bit.ly/S-DH670>  
 Для получения дополнительной информации об этом продукте перейдите по ссылке: <http://bit.ly/S-DH670>  
 更多本产品信息，请访问：<http://bit.ly/S-DH670>

Product Overview

產品外觀 \ Produktübersicht \ Présentation du produit \ Resumen del producto \ 製品概要 \ Обзор продукта \ 产品外观



1. MIC-in
2. Headphones
3. Power LED
4. Hard disk drive LED
5. Power Button
6. SD Card Reader (Option)
7. USB 3.2 Gen1 Type-A Ports
8. USB 3.2 Gen2 Type-A Ports
9. USB 3.2 Gen1 Type-C Port
10. Kensington® Lock Hole
11. HDMI 2.0 Ports
12. Power Jack (DC IN)
13. DisplayPort
14. LAN Ports
15. COM 1 Port (RS232/RS422/RS485)
16. COM 2 Port (RS232 only)
17. Clear CMOS & Power Button & +5V

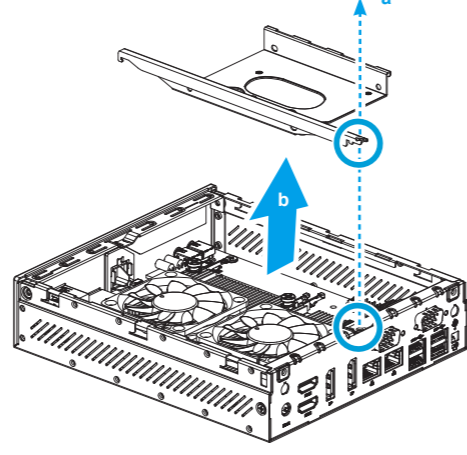
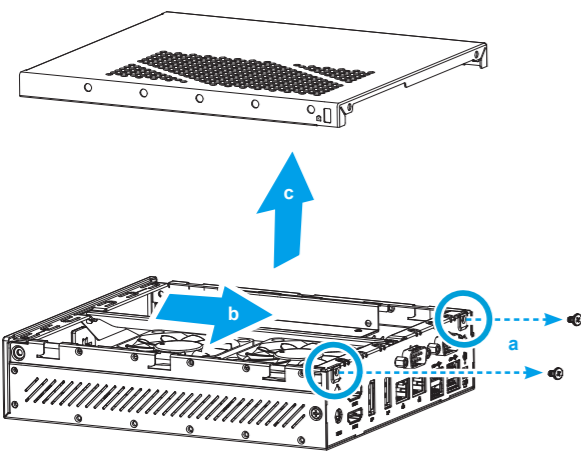
Hardware Installation

硬體安裝 \ Hardware Installation \ Installation du matériel \ Instalación de hardware  
 ハードウェアのインストール \ Установка оборудования \ 硬件安装

A. Begin Installation

⚠ For safety reasons, please ensure that the power cord is disconnected before opening the case.

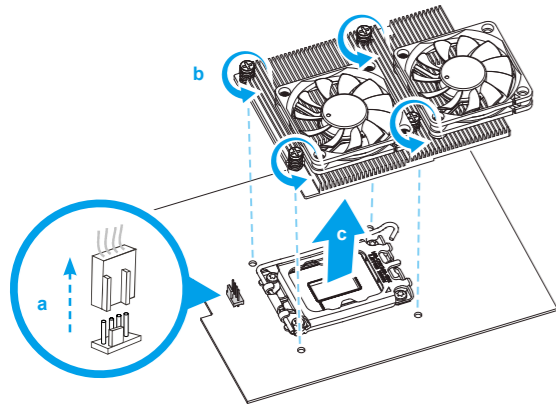
1. Unscrew the two screws of the chassis cover. Slide the cover backwards and upwards.
2. Unfasten the rack mount screw and remove the rack.



ⓘ The product's colour and specifications may vary from the actually shipped product.

B. CPU and ICE Module Installation

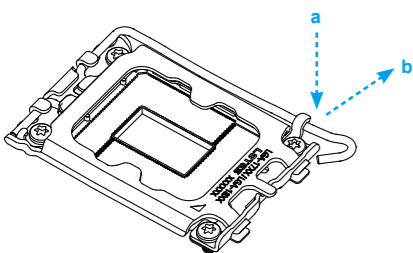
1. Unfasten the four ICE module attachment screws and unplug the fan connector. Remove the ICE module from the chassis and put it aside.



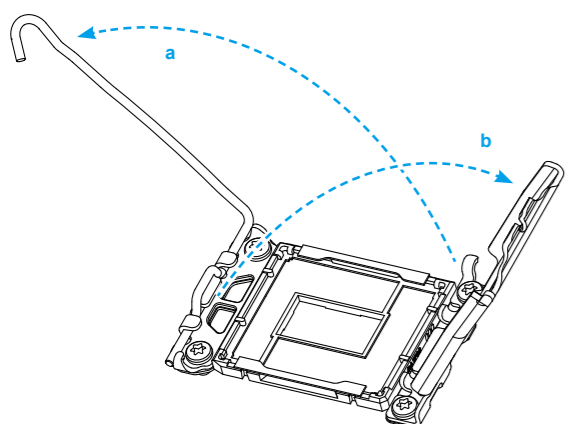
➤ Follow the steps below to correctly install the CPU into the motherboard CPU socket.

⚠ This CPU socket is fragile and can easily be damaged. Always use extreme care when installing a CPU and limit the number of times you remove or change the CPU. Before installing the CPU, make sure to turn off the computer and unplug the power cord from the power outlet to prevent damage of the CPU.

2. Unlock and raise the socket lever.

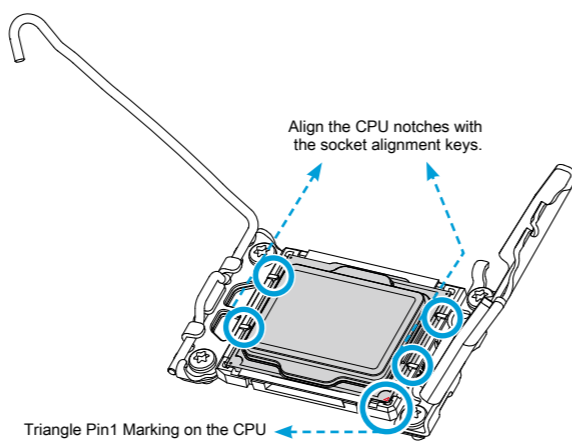


3. Lift the metal load plate off the CPU socket.



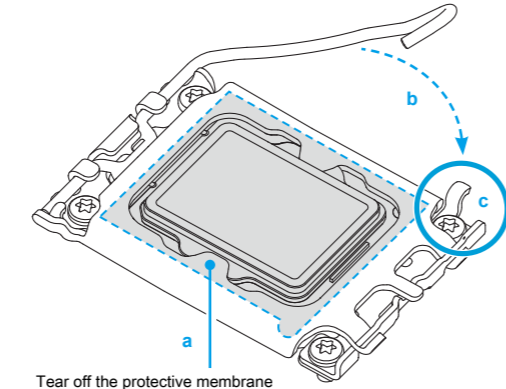
⚠ DO NOT touch the socket contacts. To protect the CPU socket, always use the protective socket cover when the CPU is not installed.

4. Please orientate the CPU correctly and align the CPU notches with the socket alignment keys. Make sure the CPU sits perfectly horizontal, then push it gently into the socket.

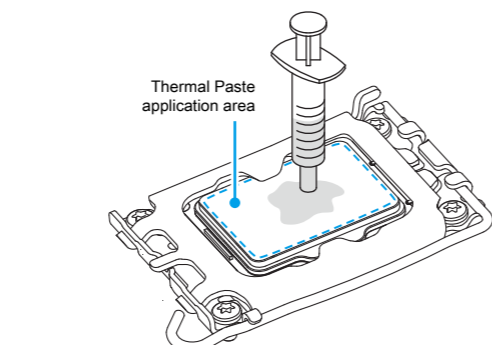


⚠ Please be aware of the CPU orientation, DO NOT force the CPU into the socket to avoid bending of pins on the socket and damage of CPU!

5. Tear off the protective membrane from the metal load plate. Close the metal load plate, lower the CPU socket lever and lock in place.

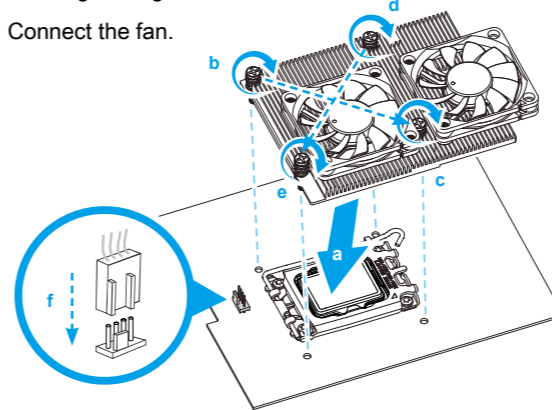


6. Spread thermal paste evenly on the CPU surface.



⚠ Please do not apply excess amount of thermal paste.

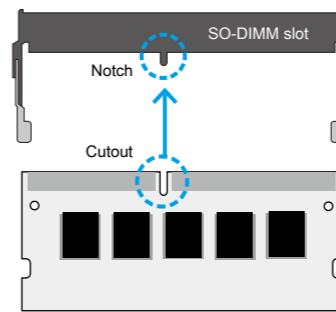
7. Screw the ICE module to the motherboard. Note to press down on the opposite diagonal corner while tightening each screw.
8. Connect the fan.



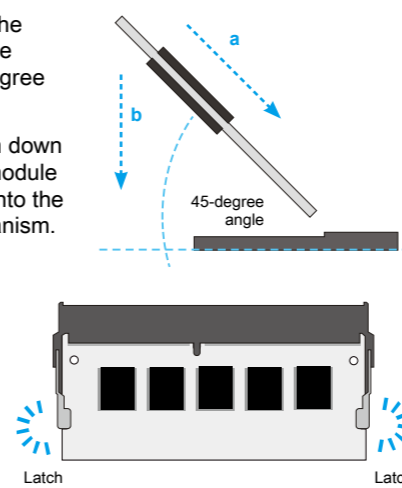
C. Memory Module Installation

⚠ This motherboard does only support 1.2 V DDR4 SO-DIMM memory modules.

1. Locate the SO-DIMM slots on the motherboard.
2. Align the notch of the memory module with the one of the relevant memory slot.



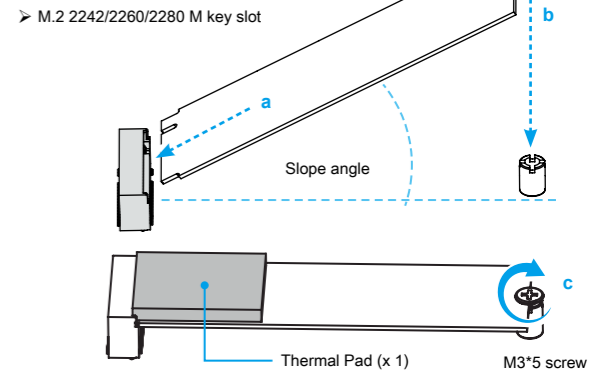
3. Gently insert the module into the slot in a 45-degree angle.
4. Carefully push down the memory module until it snaps into the locking mechanism.



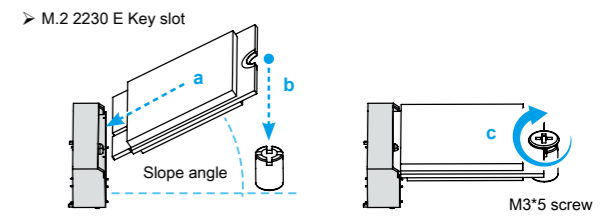
5. Repeat the above steps to install an additional memory module, if required.

D. M.2 Device Installation

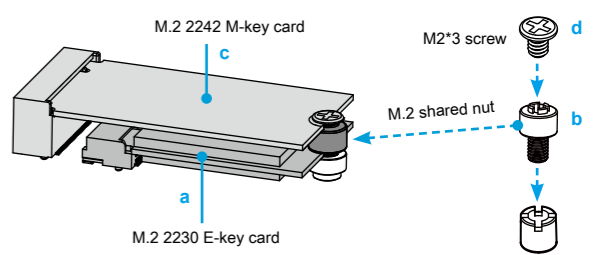
1. Locate the M.2 key slots on the motherboard.
2. Install the M.2 device into the M.2 slot and secure with the screw.



⚠ Pasting the supplied thermal pad on the M.2 SSD can effectively reduce its temperature.

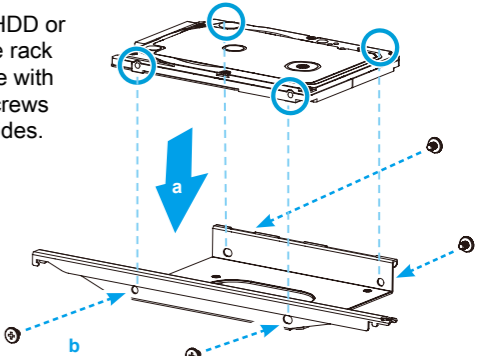


⚠ When installing M.2 2242 M-key and M.2 2230 E-key at the same time, please use "M.2 shared nut" (see picture) to lock M.2 2230 E-key card on socket, then install M.2 2242 M-key card by M2\*3 screw as the next step.



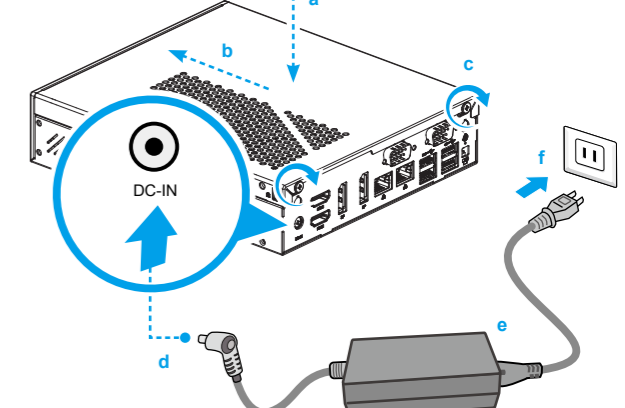
E. HDD or SSD Installation

1. Place an HDD or SSD in the rack and secure with the four screws from the sides.



F. Complete

1. Please replace and affix the case cover with two screws, then connect the power cord.
2. Complete.



⚠ Please press the "Del" key while booting to enter BIOS. Here, please load the optimised BIOS settings.

Safety Information

安全資訊 \ Sicherheitshinweise \ Informations de sécurité \ Información de seguridad  
 安全に関する情報 \ Информация о безопасности \ 安全信息

⚠ Incorrectly replacing the battery may damage this computer. Replace only with the same or equivalent as recommended by Shuttle.  
 Dispose of used batteries in accordance with the laws of your country.  
 更換電池方式錯誤可能會損壞本電腦以及引發爆炸、火災或其他危險。  
 僅能依 Shuttle 的建議，以相同或同等的電池更換。  
 請根據您所在國家/地區的法律規定處理廢電池。  
 Das unkorrekte Austauschen der Batterie kann diesen Computer beschädigen. Ersetzen Sie die Batterie nur durch den gleichen Typ oder ein gleichwertiges, von Shuttle empfohlenes Modell. Entsorgen Sie gebrauchte Batterien gemäß den gesetzlichen Vorschriften in Ihrem Land.  
 Ne pas remplacer correctement la pile peut endommager l'ordinateur. Remplacez-la uniquement par un modèle identique ou un équivalent comme recommandé par Shuttle. Éliminez les piles usagées conformément à la législation en vigueur dans votre pays.

La sustitución incorrecta de la batería puede dañar este equipo. Sustituya la batería únicamente por una igual o equivalente recomendada por Shuttle. Elimine las pilas usadas de acuerdo con los requisitos legales de su país.  
 バッテリーを間違えてセットすると、このコンピュータが損傷する原因となります。交換する際は、Shuttle が推奨するバッテリーと同じものまたは同等のものだけを使用するようにしてください。使用済みのバッテリーは、お住みの国の法律に従って処分してください。  
 Неправильная замена батареи может привести к повреждению компьютера. Батарея должна соответствовать стандарту производителя Shuttle или быть идентичной предыдущей. Утилизируйте использованные батареи в соответствии с законодательством вашей страны.  
 更換電池方式錯誤可能會損壞本電腦。僅能依 Shuttle 的建議，以相同或同等的電池更換。請根據您所在國家/地區的法律規定處理廢電池。

This device complies with Part 15 of the FCC Rules. Operation is subject to the following two conditions: (1) this device may not cause harmful interference, and (2) this device must accept any interference received, including interference that may cause undesired operation.

CE This device meets the requirements for the EU conformity in accordance with the currently valid EU directives.  
 Dieses Produkt erfüllt die Anforderungen für die EU-Konformität entsprechend der aktuell geltenden EU-Richtlinien.  
 Ce produit répond aux exigences de la conformité UE suivant les directives européennes actuellement en vigueur.

**WARNING** THIS PRODUCT CONTAINS A BUTTON BATTERY  
 If swallowed, a lithium button battery can cause severe or fatal injuries within 2 hours.  
 Keep batteries out of reach of children.  
 If you think batteries may have been swallowed or placed inside any part of the body, seek immediate medical attention.

All bundled parts, power cord included, shall not be used without this product.  
 電源ケーブル等、すべての付属品は本機以外ではご使用になれません。

注意：仅适用于海拔 2000m 以下安全使用，在海拔 2000m 以上使用时，可能有安全隐患。

注意：仅适用于在非热带气候条件下安全使用，在热带气候条件下使用时，可能有安全隐患。

注意：允许产品使用的最高环境温度为 40°C。  
 \* The equipment was evaluated for use in a maximum air ambient temperature of 40 °C.  
 產品宣告最大適用環境溫度為 40 °C。

The product contains non-replaceable batteries

The statement "remove and immediately recycle or dispose of used batteries according to local regulations and keep away from children. Do NOT dispose of batteries in household trash or incinerate."

- (a) Remove and immediately recycle or dispose of used batteries according to local regulations and keep away from children. Do NOT dispose of batteries in household trash or incinerate.
- (b) Even used batteries may cause severe injury or death.
- (c) Call a local poison control center for treatment information.
- (d) Indicating the compatible battery type CR2032.
- (e) Indicating the nominal battery voltage.
- (f) Non-rechargeable batteries are not to be recharged.
- (g) Do not force discharge, recharge, disassemble, heat above (manufacturer's specified temperature rating) or incinerate. Doing so may result in injury due to venting, leakage or explosion resulting in chemical burns.



## Product Overview

<div> <div><span>產品外觀</span> \ <span>Produktübersicht</span> \ <span>Présentation du produit</span> \ <span>Resumen del producto</span> \ <span>製品概要</span> \ <span>Обзор продукта</span> \ <span>产品外观</span></div> <div></div> </div>	<div> <div><span>產品外觀</span> \ <span>Produktübersicht</span> \ <span>Présentation du produit</span> \ <span>Resumen del producto</span> \ <span>製品概要</span> \ <span>Обзор продукта</span> \ <span>产品外观</span></div> <div></div> </div>	
<div> <div><span>1. MIC-in</span> \ <span>麥克風插孔</span> \ <span>Mikrofon-Eingang</span> \ <span>Entrée Micro</span> \ <span>Microfóno</span> \ <span>マイク</span> \ <span>Гнездо для микрофона</span> \ <span>麦克风插孔</span></div> <div></div> </div>	<div> <div><span>6. SD Card Reader (Option)</span> \ <span>SD 讀卡機 (選配)</span> \ <span>SD Cardreader (optional)</span> \ <span>Lecteur de carte mémoire SD (optionnel)</span> \ <span>Lector de tarjetas sd (opcional)</span> \ <span>SDカードリーダー (オプション)</span> \ <span>Считыватель SD-карт (опция)</span> \ <span>SD卡片阅读机 (可选)</span></div> <div></div> </div>	
<div> <div><span>2. Headphones</span> \ <span>耳機孔</span> \ <span>Kopfhörer-Ausgang</span> \ <span>Prise casque</span> \ <span>Auriculares</span> \ <span>イヤホン</span> \ <span>Гнездо для наушников</span> \ <span>耳机孔</span></div> <div></div> </div>	<div> <div><span>7. USB 3.2 Gen1 Type-A Ports</span> \ <span>USB 3.2 Gen1 Type-A 連接埠</span> \ <span>USB 3.2 Gen1 Typ-A-Anschlüsse</span> \ <span>Prises USB 3.2 Gen1 Type-A</span> \ <span>Puertos USB 3.2 Gen1 tipo A</span> \ <span>USB 3.2 Gen1 Type-A  埠</span> \ <span>USB 3.2 Gen1 Type-A 埠</span> \ <span>USB 3.2 Gen1 Type-A 端口</span></div> <div></div> </div>	<div> <div><span>11. HDMI 2.0 Ports \ HDMI 2.0 連接埠 \ HDMI 2.0-Anschlüsse</span> \ <span>Prises HDMI 2.0 \ Puertos HDMI 2.0 \ HDMI 2.0  埠</span> \ <span>HDMI 2.0  埠</span> \ <span>HDMI 2.0 端口</span></div> <div></div> </div>
<div> <div><span>3. Power LED</span> \ <span>電源指示燈</span> \ <span>Betriebsanzeige-LED</span> \ <span>Indicateur alimentation</span> \ <span>LED de encendido</span> \ <span>電源 LED</span> \ <span>LED-индикатор питания</span> \ <span>电源指示灯</span></div> <div></div> </div>	<div> <div><span>8. USB 3.2 Gen2 Type-A Ports</span> \ <span>USB 3.2 Gen2 Type-A 連接埠</span> \ <span>USB 3.2 Gen2 Typ-A-Anschlüsse</span> \ <span>Prises USB 3.2 Gen2 Type-A</span> \ <span>Puertos USB 3.2 Gen2 tipo A</span> \ <span>USB 3.2 Gen2 Type-A 埠</span> \ <span>USB 3.2 Gen2 Type-A 埠</span> \ <span>USB 3.2 Gen2 Type-A 端口</span></div> <div></div> </div>	<div> <div><span>12. Power Jack (DC IN) \ DC 電源連接埠</span> \ <span>DC-Stromanschluss \ Prise alimentation</span> \ <span>Conexión de la fuente de alimentación (CC)</span> \ <span>DC 電源埠</span> \ <span>Гнездо для подключения питания (DC IN)</span> \ <span>电源插孔 (直流电输入)</span></div> <div></div> </div>
<div> <div><span>4. Hard disk drive LED</span> \ <span>硬碟指示燈</span> \ <span>Festplatten-LED</span> \ <span>Indicateur disque dur</span> \ <span>Diodo LED del disco duro</span> \ <span>ハードディスクドライブ LED</span> \ <span>LED-индикатор жесткого диска</span> \ <span>硬盘指示灯</span></div> <div></div> </div>	<div> <div><span>9. USB 3.2 Gen1 Type-C Port</span> \ <span>USB 3.2 Gen1 Type-C 連接埠</span> \ <span>USB 3.2 Gen1 Typ-C-Anschluss</span> \ <span>Prise USB 3.2 Gen1 Type-C</span> \ <span>Puerto USB 3.2 Gen1 tipo C</span> \ <span>USB 3.2 Gen1 Type-C 埠</span> \ <span>USB 3.2 Gen1 Type-C 埠</span> \ <span>USB 3.2 Gen1 Type-C 端口</span></div> <div></div> </div>	<div> <div><span>13. DisplayPort \ DisplayPort 連接埠 \ DisplayPort</span> \ <span>Prise DisplayPort \ DisplayPort \ ディスプレイポート</span> \ <span>DisplayPort \ DisplayPort 埠</span> \ <span>DisplayPort \ DisplayPort 埠</span> \ <span>DisplayPort \ DisplayPort 端口</span></div> <div></div> </div>
<div> <div><span>5. Power Button</span> \ <span>電源按鈕</span> \ <span>Ein-/Aus-Button</span> \ <span>Bouton d'alimentation</span> \ <span>Botón de encendido</span> \ <span>電源スイッチ</span> \ <span>Кнопка питания</span> \ <span>电源按钮</span></div> <div></div> </div>	<div> <div><span>10. Kensington® Lock Hole</span> \ <span>Kensington® 標準防盜鎖孔</span> \ <span>Kensington® Lock Öffnung</span> \ <span>Encoche de sécurité Kensington®</span> \ <span>Conector de seguridad Kensington®</span> \ <span>ケンシントンロック用ホール</span> \ <span>Отверстие для замка Kensington®</span> \ <span>Kensington® 标准防盗锁孔</span></div> <div></div> </div>	<div> <div><span>17. Clear CMOS &amp; Power Button &amp; +5V</span> \ <span>清除COMS &amp; 電源按鈕 &amp; +5V</span> \ <span>Clear CMOS &amp; Einschalt-Button &amp; +5V</span> \ <span>Reset CMOS &amp; Bouton d'alimentation &amp; +5V</span> \ <span>Clear CMOS &amp; Botón de encendido &amp; +5V</span> \ <span>CMOSクリア &amp; 電源スイッチ &amp; +5V</span> \ <span>Сброс CMOS, внешняя кнопка питания, +5 V</span> \ <span>清除 CMOS &amp; 电源按钮 &amp; +5V</span></div> <div></div> </div>

## Hardware Installation

<div> <div><span>硬體安裝</span> \ <span>Hardware Installation</span> \ <span>Installation du matériel</span> \ <span>Instalación de hardware</span> \ <span>ハードウェアのインストール</span> \ <span>Установка оборудования</span> \ <span>硬件安装</span></div> <div></div> </div>	<div> <div><span>硬體安裝</span> \ <span>Hardware Installation</span> \ <span>Installation du matériel</span> \ <span>Instalación de hardware</span> \ <span>ハードウェアのインストール</span> \ <span>Установка оборудования</span> \ <span>硬件安装</span></div> <div></div> </div>
--	--

<div> <div><span>A. Begin Installation \ 開始安裝 \ Beginn der Installation \ Commencer l'installation \ Iniciar la instalación \ 取り付けの開始 \ Начало установки \ 開始安裝</span></div> <div></div> </div>	<div> <div><span>A. Begin Installation \ 開始安裝 \ Beginn der Installation \ Commencer l'installation \ Iniciar la instalación \ 取り付けの開始 \ Начало установки \ 開始安裝</span></div> <div></div> </div>
<div> <div><span>⚠ For safety reasons, please ensure that the power cord is disconnected before opening the case.</span> \ <span>基於安全考量, 移開機殼時,請先拔除電源線。</span></div> <div><span>Achten Sie aus Sicherheitsgründen darauf, dass das Gerät vor dem Öffnen vom Stromnetz getrennt wird.</span> \ <span>Pour des raisons de sécurité, veuillez vous assurer que le cordon d'alimentation est débranché avant d'ouvrir le boîtier.</span> \ <span>Por razones de seguridad, no olvide desconectar el cable de alimentación antes de abrir la carcasa.</span> \ <span>安全のために、ケースを開ける前に電源コードを外していることを確認してください。</span> \ <span>Меры безопасности: прежде чем открыть корпус, пожалуйста, убедитесь, что шнур отсоединен от электрической розетки.</span> \ <span>基于安全考虑, 移开机壳时,请先拔除电源线。</span></div> <div></div> </div>	<div> <div><span>⚠ For safety reasons, please ensure that the power cord is disconnected before opening the case.</span> \ <span>基於安全考量, 移開機殼時,請先拔除電源線。</span></div> <div><span>Achten Sie aus Sicherheitsgründen darauf, dass das Gerät vor dem Öffnen vom Stromnetz getrennt wird.</span> \ <span>Pour des raisons de sécurité, veuillez vous assurer que le cordon d'alimentation est débranché avant d'ouvrir le boîtier.</span> \ <span>Por razones de seguridad, no olvide desconectar el cable de alimentación antes de abrir la carcasa.</span> \ <span>安全のために、ケースを開ける前に電源コードを外していることを確認してください。</span> \ <span>Меры безопасности: прежде чем открыть корпус, пожалуйста, убедитесь, что шнур отсоединен от электрической розетки.</span> \ <span>基于安全考虑, 移开机壳时,请先拔除电源线。</span></div> <div></div> </div>
<div> <div><span>1. Unscrew the two screws of the chassis cover. Slide the cover backwards and upwards.</span> \ <span>鬆開兩顆背板螺絲, 將機殼往外推出, 再向上拿起。</span></div> <div><span>Lösen Sie die beiden Schrauben der Gehäuseabdeckung. Schieben Sie die Abdeckung nach hinten und nach oben.</span> \ <span>Desserrez et retirez les deux vis du boîtier. Glissez le couvercle vers l'arrière et le haut.</span> \ <span>Aloje y retire primero los dos tornillos de la cubierta de la carcasa. Desplace la carcasa hacia atrás y hacia arriba.</span> \ <span>シャーシカバーの２本のネジを抜きます。カバーを後ろと上方向にスライドさせます。</span> \ <span>Откройте два шурупа на крышке корпуса. Сдвиньте крышку назад и затем вверх.</span> \ <span>松开两颗背板螺絲, 将机壳往外推出, 再向上拿起。</span></div> <div></div> </div>	<div> <div><span>1. Unscrew the two screws of the chassis cover. Slide the cover backwards and upwards.</span> \ <span>鬆開兩顆背板螺絲, 將機殼往外推出, 再向上拿起。</span></div> <div><span>Lösen Sie die beiden Schrauben der Gehäuseabdeckung. Schieben Sie die Abdeckung nach hinten und nach oben.</span> \ <span>Desserrez et retirez les deux vis du boîtier. Glissez le couvercle vers l'arrière et le haut.</span> \ <span>Aloje y retire primero los dos tornillos de la cubierta de la carcasa. Desplace la carcasa hacia atrás y hacia arriba.</span> \ <span>シャーシカバーの２本のネジを抜きます。カバーを後ろと上方向にスライドさせます。</span> \ <span>Откройте два шурупа на крышке корпуса. Сдвиньте крышку назад и затем вверх.</span> \ <span>松开两颗背板螺絲, 将机壳往外推出, 再向上拿起。</span></div> <div></div> </div>
<div> <div><span>ⓘ The product's colour and specifications may vary from the actually shipped product. 出貨機種顏色及規格配備, 以實際出貨機種為準。</span> \ <span>Die tatsächliche Farbe des gelieferten Produktes kann von diesen Abbildungen abweichen. Le coloris du produit livré peut varier de ces illustrations.</span></div> <div></div> </div>	<div> <div><span>Color y la especificación del producto dependerá del transporte de mercancía corriente. 製品の色及びスペックは、実際と異なる場合がございます。</span> \ <span>Цвет и спецификации продукта могут быть изменены производителем. 出货机种颜色及规格配备, 以实际出货机种为准。</span></div> <div></div> </div>

<div> <div><span>2. Unfasten the rack mount screw and remove the rack.</span> \ <span>鬆開支架上的固定螺絲, 取下支架。</span></div> <div><span>Lösen Sie die Schraube des Laufwerkshalters und entfernen Sie diesen.</span> \ <span>Desserrez les vis de montage sur rack et retirez le rack.</span> \ <span>Aloje el tornillo del bastidor de la unidad y retire éste.</span> \ <span>ラックマウントネジを外し、ラックを取り外します。</span> \ <span>Откройте шурупы и снимите рамку.</span> \ <span>松开支架上的固定螺丝, 取下支架。</span></div> <div></div> </div>	<div> <div><span>2. Unfasten the rack mount screw and remove the rack.</span> \ <span>鬆開支架上的固定螺絲, 取下支架。</span></div> <div><span>Lösen Sie die Schraube des Laufwerkshalters und entfernen Sie diesen.</span> \ <span>Desserrez les vis de montage sur rack et retirez le rack.</span> \ <span>Aloje el tornillo del bastidor de la unidad y retire éste.</span> \ <span>ラックマウントネジを外し、ラックを取り外します。</span> \ <span>Откройте шурупы и снимите рамку.</span> \ <span>松开支架上的固定螺丝, 取下支架。</span></div> <div></div> </div>
<div> <div><span>B. CPU and ICE Installation \ 安裝處理器及散熱導管</span> \ <span>CPU- und ICE-Installation \ Installation du processeur et du module ICE</span> \ <span>Instalar el procesador y el módulo ICE \ CPUとICEの取り付け</span> \ <span>Установка процессора и ICE \ 安装处理器及散热导管</span></div> <div></div> </div>	<div> <div><span>B. CPU and ICE Installation \ 安裝處理器及散熱導管</span> \ <span>CPU- und ICE-Installation \ Installation du processeur et du module ICE</span> \ <span>Instalar el procesador y el módulo ICE \ CPUとICEの取り付け</span> \ <span>Установка процессора и ICE \ 安装处理器及散热导管</span></div> <div></div> </div>
<div> <div><span>1. Unfasten the four ICE module attachment screws and unplug the fan connector. Remove the ICE module from the chassis and put it aside.</span> \ <span>鬆開熱導管 4 個切角上的固定螺絲, 掀起風扇電源接頭, 取下 ICE 散熱模組先置於一旁。</span></div> <div><span>Lösen Sie die vier Schrauben, durch die die ICE-Kühlung fixiert wird und ziehen Sie den Stecker vom Lüfteranschluss ab. Entfernen Sie das ICE-Modul aus dem Gehäuse und legen es beiseite.</span> \ <span>Desserrez les quatre vis fixées sur le système de refroidissement ICE et retirez le connecteur du ventilateur. Retirez le module ICE du châssis et mettez-le de côté.</span> \ <span>Aloje los tornillos de sujeción del módulo ICE y desenchufe el conector del ventilador. Extraiga el módulo ICE del chasis y póngalo a un lado.</span> \ <span>FANコネクタを取り外し、ICEモジュールにあるネジ (プッシュピン) を外します。ICEモジュールを引き上げるように引き上げるようにして取り外します。</span> \ <span>Отвинтите четыре штифта модуля ICE и отсоедините разъем вентиля латора. Извлеките модуль ICE из шасси и поставьте его в сторону.</span> \ <span>松开热导管 4 个切角上的固定螺丝, 掀起风扇电源接头, 取下 ICE 散热模块先置于一旁。</span></div> <div></div> </div>	<div> <div><span>1. Unfasten the four ICE module attachment screws and unplug the fan connector. Remove the ICE module from the chassis and put it aside.</span> \ <span>鬆開熱導管 4 個切角上的固定螺絲, 掀起風扇電源接頭, 取下 ICE 散熱模組先置於一旁。</span></div> <div><span>Lösen Sie die vier Schrauben, durch die die ICE-Kühlung fixiert wird und ziehen Sie den Stecker vom Lüfteranschluss ab. Entfernen Sie das ICE-Modul aus dem Gehäuse und legen es beiseite.</span> \ <span>Desserrez les quatre vis fixées sur le système de refroidissement ICE et retirez le connecteur du ventilateur. Retirez le module ICE du châssis et mettez-le de côté.</span> \ <span>Aloje los tornillos de sujeción del módulo ICE y desenchufe el conector del ventilador. Extraiga el módulo ICE del chasis y póngalo a un lado.</span> \ <span>FANコネクタを取り外し、ICEモジュールにあるネジ (プッシュピン) を外します。ICEモジュールを引き上げるように引き上げるようにして取り外します。</span> \ <span>Отвинтите четыре штифта модуля ICE и отсоедините разъем вентиля латора. Извлеките модуль ICE из шасси и поставьте его в сторону.</span> \ <span>松开热导管 4 个切角上的固定螺丝, 掀起风扇电源接头, 取下 ICE 散热模块先置于一旁。</span></div> <div></div> </div>

<div> <div><span>➤ Follow the steps below to correctly install the CPU into the motherboard CPU socket</span> \ <span>請依下列步驟將 CPU 正確的安裝於主機板的 CPU 插槽內</span></div> <div><span>Beachten Sie genau die folgende Anleitung, um die CPU korrekt in den CPU-Sockel auf dem Mainboard zu installieren.</span> \ <span>Suivez les instructions suivantes pour réussir l'intégration de votre processeur dans son socket.</span> \ <span>Siga las instrucciones de abajo para instalar la CPU correctamente en el zócalo de la CPU de la placa base.</span> \ <span>マザーボードのCPUソケットにCPUを取り付けるには、以下の手順に従ってください。</span> \ <span>Выполните следующие действия, чтобы правильно установить процессор в процессорный socket материнской платы.</span> \ <span>請依下列步驟將 CPU 正確的安裝于主机板的 CPU 插槽內</span></div> <div></div> </div>	<div> <div><span>2. Unpack and raise the socket lever.</span> \ <span>將插槽拉桿鎖鎖並向上提起。</span></div> <div><span>Entriegeln Sie zuerst den Sockelhebel und ziehen ihn hoch.</span> \ <span>Déverrouillez d'abord le levier du socket puis soulevez le.</span> \ <span>En primer lugar desbloquee y levante la palanca del zócalo.</span> \ <span>まずソケットレバーのロックを解除し引き上げます。</span> \ <span>Сначала разблокируйте и поднимите рычаг сокета.</span> \ <span>將插槽拉杆解锁并向上提起。</span></div> <div></div> </div>
<div> <div><span>⚠ DO NOT touch the socket contacts. To protect the CPU socket, always use the protective socket cover when the CPU is not installed.</span> \ <span>處理期間請注意勿觸摸插槽內的排針, 當你沒有安裝 CPU 時, 請將保護蓋安裝回 CPU 插槽, 以保護 CPU 插槽。</span></div> <div><span>Berühren Sie NIE die Kontakte des CPU-Sockets. Wenn keine CPU installiert ist, legen Sie bitte wieder die Schutzabdeckung hinein, um den CPU-Sockel zu schützen.</span> \ <span>NE PAS toucher aux contacts du socket. Pour protéger le socket, toujours replacer la pièce protectrice lorsqu'on enlève le processeur.</span> \ <span>No tocar los contactos del zócalo. Para proteger el zócalo remueva siempre la cubierta protectora del zócalo cuando el CPU no está instalado.</span> \ <span>ソケット内部には絶対触らないでください。CPUを設置しない場合は、保護の為にプラスチックカバーを取り付けるようにお使い致します。</span> \ <span>НЕ прикасайтесь к контактам сокета. Для защиты процессорного гнезда, все гда используйте защитную крышку разъема, когда процессор не установлен.</span> \ <span>处理期间请注意勿触摸插槽内的排针, 当你没有安装 CPU 时, 请将保护盖安装回 CPU 插槽, 以保护 CPU 插槽。</span></div> <div></div> </div>	<div> <div><span>⚠ DO NOT touch the socket contacts. To protect the CPU socket, always use the protective socket cover when the CPU is not installed.</span> \ <span>處理期間請注意勿觸摸插槽內的排針, 當你沒有安裝 CPU 時, 請將保護蓋安裝回 CPU 插槽, 以保護 CPU 插槽。</span></div> <div><span>Berühren Sie NIE die Kontakte des CPU-Sockets. Wenn keine CPU installiert ist, legen Sie bitte wieder die Schutzabdeckung hinein, um den CPU-Sockel zu schützen.</span> \ <span>NE PAS toucher aux contacts du socket. Pour protéger le socket, toujours replacer la pièce protectrice lorsqu'on enlève le processeur.</span> \ <span>No tocar los contactos del zócalo. Para proteger el zócalo remueva siempre la cubierta protectora del zócalo cuando el CPU no está instalado.</span> \ <span>ソケット内部には絶対触らないでください。CPUを設置しない場合は、保護の為にプラスチックカバーを取り付けるようにお使い致します。</span> \ <span>НЕ прикасайтесь к контактам сокета. Для защиты процессорного гнезда, все гда используйте защитную крышку разъема, когда процессор не установлен.</span> \ <span>处理期间请注意勿触摸插槽内的排针, 当你没有安装 CPU 时, 请将保护盖安装回 CPU 插槽, 以保护 CPU 插槽。</span></div> <div></div> </div>
<div> <div><span>4. Please orientate the CPU correctly and align the CPU notches with the socket alignment keys. Make sure the CPU sits perfectly horizontal, then push it gently into the socket.</span> \ <span>調整 CPU 和插槽的位置, 將 CPU 上的凹角對齊插槽上的凸角, 確保完全水平放置 CPU, 並將 CPU 插入插槽。</span></div> <div><span>Richten Sie die CPU auf dem Sockel so aus, dass die CPU-Kerben auf die Ausrichtungsmarkeme des Sockels zeigen. Halten Sie die CPU völlig horizontal und setzen Sie sie dann vorsichtig in den Sockel ein.</span> \ <span>Orientez le processeur correctement sur le socket en vous servant des repères d'alignement sur le socket et des encoches sur le processeur.</span> \ <span>Assurez-vous que le processeur est parfaitement horizontal et posez-le sur le socket.</span> \ <span>Coloque la CPU en el zócalo de tal forma que las muescas estén alineadas con las marcas de alineación del zócalo. Asegúrese de que la CPU se encuentra en posición perfectamente horizontal y después inserte la CPU en el del zócalo.</span> \ <span>CPUとりつけの際は、CPU側の切り込みがソケット側と合うように、取り付ける向きを確認してから、取り付けて下さい。</span> \ <span>Пожалуйста, разместите процессор правильно и совместите выемки процессора с ключами выравнивания сокета. Убедитесь, что процессор идеально сидит по горизонтали, затем вставьте его аккуратно в socket.</span> \ <span>調整 CPU 和插槽的位置, 將 CPU 上的凹角对齐插槽上的凸角, 确保完全水平放置 CPU, 并将 CPU 插入插槽。</span></div> <div></div> </div>	<div> <div><span>4. Please orientate the CPU correctly and align the CPU notches with the socket alignment keys. Make sure the CPU sits perfectly horizontal, then push it gently into the socket.</span> \ <span>調整 CPU 和插槽的位置, 將 CPU 上的凹角對齊插槽上的凸角, 確保完全水平放置 CPU, 並將 CPU 插入插槽。</span></div> <div><span>Richten Sie die CPU auf dem Sockel so aus, dass die CPU-Kerben auf die Ausrichtungsmarkeme des Sockels zeigen. Halten Sie die CPU völlig horizontal und setzen Sie sie dann vorsichtig in den Sockel ein.</span> \ <span>Orientez le processeur correctement sur le socket en vous servant des repères d'alignement sur le socket et des encoches sur le processeur.</span> \ <span>Assurez-vous que le processeur est parfaitement horizontal et posez-le sur le socket.</span> \ <span>Coloque la CPU en el zócalo de tal forma que las muescas estén alineadas con las marcas de alineación del zócalo. Asegúrese de que la CPU se encuentra en posición perfectamente horizontal y después inserte la CPU en el del zócalo.</span> \ <span>CPUとりつけの際は、CPU側の切り込みがソケット側と合うように、取り付ける向きを確認してから、取り付けて下さい。</span> \ <span>Пожалуйста, разместите процессор правильно и совместите выемки процессора с ключами выравнивания сокета. Убедитесь, что процессор идеально сидит по горизонтали, затем вставьте его аккуратно в socket.</span> \ <span>調整 CPU 和插槽的位置, 將 CPU 上的凹角对齐插槽上的凸角, 确保完全水平放置 CPU, 并将 CPU 插入插槽。</span></div> <div></div> </div>

<div> <div><span>⚠ This CPU socket is fragile and can easily be damaged. Always use extreme care when installing a CPU and limit the number of times you remove or change the CPU. Before installing the CPU, make sure to turn off the computer and unplug the power cord from the power outlet to prevent damage of the CPU.</span> \ <span>此 CPU 的插槽脆弱易受損, 請務必於安裝 CPU 時小心使用, 並盡量減少移除或變更 CPU 的次數。安裝 CPU 前, 請再次確認電源是關閉的, 以避免造成 CPU 的損壞。</span></div> <div><span>Der CPU-Sockel ist sehr empfindlich und kann leicht beschädigt werden. Besondere Vorsicht ist geboten, wenn Sie eine CPU installieren. Ferner sollte die CPU nicht oft entfernt bzw. ausgewechselt werden. Schalten Sie vor der Installation der CPU den Computer ab und ziehen Sie das Netzkabel heraus, um Schäden an der CPU zu vermeiden.</span> \ <span>The socket of the processor est fragile et s'abime facilement. Soyez extrêmement attentif lors de l'installation d'un processeur et limitez le nombre de retraits ou de changements de processeur. Avant d'installer un processeur, assurez vous d'éteindre l'ordinateur et de débrancher le cordon d'alimentation de la prise électrique afin d'éviter tout dommage du processeur.</span> \ <span>El zócalo de la CPU es muy frágil y se puede dañar con facilidad. Tenga siempre sumo cuidado cuando instale el procesador y limite el número de veces que quita y cambia éste. Antes de instalar el CPU asegurese de aragar el ordenador y de desenchufar el cable alimentaci3n para evitar daños del CPU.</span></div> <div></div> </div>	<div> <div><span>⚠ This CPU socket is fragile and can easily be damaged. Always use extreme care when installing a CPU and limit the number of times you remove or change the CPU. Before installing the CPU, make sure to turn off the computer and unplug the power cord from the power outlet to prevent damage of the CPU.</span> \ <span>此 CPU 的插槽脆弱易受損, 請務必於安裝 CPU 時小心使用, 並盡量減少移除或變更 CPU 的次數。安裝 CPU 前, 請再次確認電源是關閉的, 以避免造成 CPU 的損壞。</span></div> <div><span>Der CPU-Sockel ist sehr empfindlich und kann leicht beschädigt werden. Besondere Vorsicht ist geboten, wenn Sie eine CPU installieren. Ferner sollte die CPU nicht oft entfernt bzw. ausgewechselt werden. Schalten Sie vor der Installation der CPU den Computer ab und ziehen Sie das Netzkabel heraus, um Schäden an der CPU zu vermeiden.</span> \ <span>The socket of the processor est fragile et s'abime facilement. Soyez extrêmement attentif lors de l'installation d'un processeur et limitez le nombre de retraits ou de changements de processeur. Avant d'installer un processeur, assurez vous d'éteindre l'ordinateur et de débrancher le cordon d'alimentation de la prise électrique afin d'éviter tout dommage du processeur.</span> \ <span>El zócalo de la CPU es muy frágil y se puede dañar con facilidad. Tenga siempre sumo cuidado cuando instale el procesador y limite el número de veces que quita y cambia éste. Antes de instalar el CPU asegurese de aragar el ordenador y de desenchufar el cable alimentaci3n para evitar daños del CPU.</span></div> <div></div> </div>
---	---

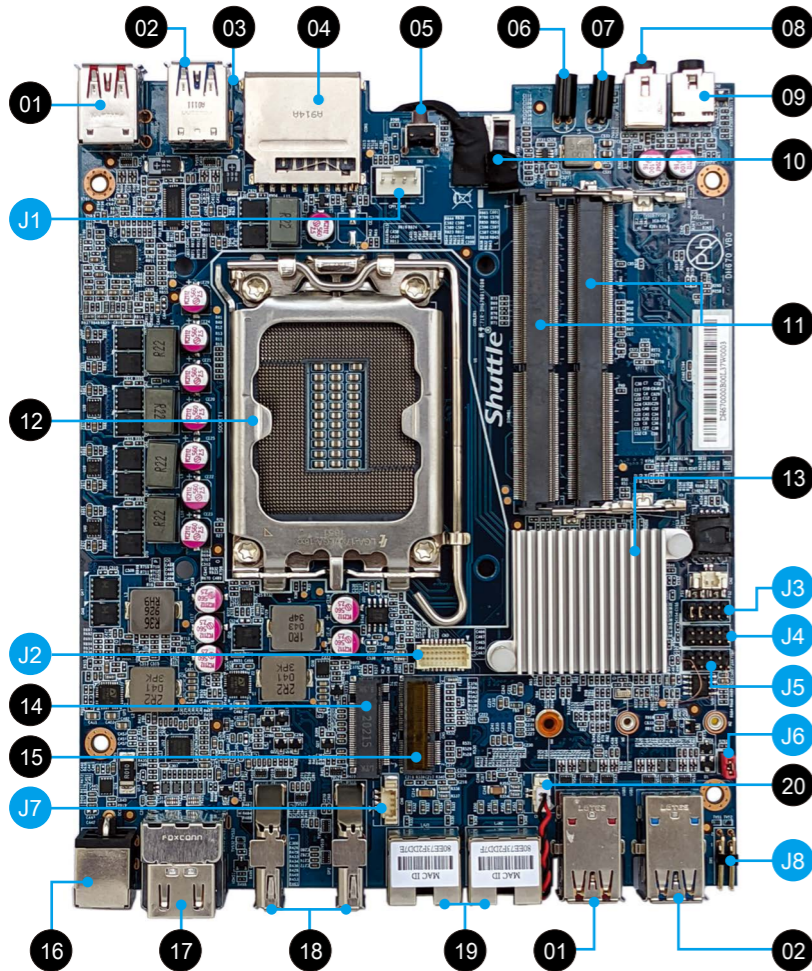
<div> <div><span>⚠ Please be aware of the CPU orientation, DO NOT force the CPU into the socket to avoid bending of pins on the socket and damage of CPU!</span> \ <span>請注意 CPU 的安裝方向, 請勿硬將 CPU 裝入插槽, 以免插槽上的針腳彎曲, 損壞 CPU ！</span></div> <div><span>Bitte achten Sie auf die richtige Ausrichtung der CPU. Beim Einsetzen der CPU in den Sockel üben Sie bitte KEINEN DRUCK aus, damit die Pins des Sockels nicht verbogen und die CPU nicht beschädigt wird.</span> \ <span>Contrôlez bien l'orientation du processeur, NE PAS forcer son insertion, vous risquez d'endommager les broches du socket et le processeur!</span> \ <span>Tenga en cuenta la orientación del procesador y NO lo fuerce para insertarlo en el zócalo; de esta forma impedirá que los contactos del procesador se doblen en el zócalo y que resulte dañado.</span> \ <span>CPUの設置には細心の注意をお願いします。力強く差入れるとCPU及びソケットの損傷につながります。</span> \ <span>Обратите внимание на расположение процессора. НЕ давите процессор в socket, чтобы избежать сгибание контактов и повреждения процессора!</span> \ <span>请注意 CPU 的安装方向, 请勿硬将 CPU 装入插槽, 以免插槽上的针脚弯曲, 损坏 CPU ！</span></div> <div></div> </div>	<div> <div><span>⚠ Please be aware of the CPU orientation, DO NOT force the CPU into the socket to avoid bending of pins on the socket and damage of CPU!</span> \ <span>請注意 CPU 的安裝方向, 請勿硬將 CPU 裝入插槽, 以免插槽上的針腳彎曲, 損壞 CPU ！</span></div> <div><span>Bitte achten Sie auf die richtige Ausrichtung der CPU. Beim Einsetzen der CPU in den Sockel üben Sie bitte KEINEN DRUCK aus, damit die Pins des Sockels nicht verbogen und die CPU nicht beschädigt wird.</span> \ <span>Contrôlez bien l'orientation du processeur, NE PAS forcer son insertion, vous risquez d'endommager les broches du socket et le processeur!</span> \ <span>Tenga en cuenta la orientación del procesador y NO lo fuerce para insertarlo en el zócalo; de esta forma impedirá que los contactos del procesador se doblen en el zócalo y que resulte dañado.</span> \ <span>CPUの設置には細心の注意をお願いします。力強く差入れるとCPU及びソケットの損傷につながります。</span> \ <span>Обратите внимание на расположение процессора. НЕ давите процессор в socket, чтобы избежать сгибание контактов и повреждения процессора!</span> \ <span>请注意 CPU 的安装方向, 请勿硬将 CPU 装入插槽, 以免插槽上的针脚弯曲, 损坏 CPU ！</span></div> <div></div> </div>
<div> <div><span>5. Tear off the protective membrane from the metal load plate. Close the metal load plate, lower the CPU socket lever and lock in place.</span> \ <span>撕下金屬載入板的保護膜, 關上載入板, 將 CPU 的插槽拉桿壓下並定位鎖好。</span></div> <div><span>Entfernen Sie die Schutzfolie unter dem CPU-Halterahmen. Schließen Sie den Halterahmen aus Metall. Danach drücken Sie den Sockelhebel nach unten bis er einrastet.</span> \ <span>Retirez le film protecteur sous le cadre de support du processeur. Fermez le cadre de support rabaissez le levier du socket du processeur et enclenchez-le.</span> \ <span>Quite la hoja protectora de debajo del marco de soporte de la CPU. Ajustar el bastidor, bajar la palanca del zócalo y cerrar.</span> \ <span>保護シートをCPU固定プレートから取り外して下さい。</span> \ <span>金屬板を閉じ、レバーを下ろして固定します。</span> \ <span>Снимите защитную пленку с металлической пластины. Закройте металлическую пластину, опустите рычаг процессорного разъема и зафиксируйте.</span> \ <span>撕下金属载入板的保护膜。关上载入板, 将 CPU 的插槽拉杆压下并定位锁好。</span></div> <div></div> </div>	<div> <div><span>5. Tear off the protective membrane from the metal load plate. Close the metal load plate, lower the CPU socket lever and lock in place.</span> \ <span>撕下金屬載入板的保護膜, 關上載入板, 將 CPU 的插槽拉桿壓下並定位鎖好。</span></div> <div><span>Entfernen Sie die Schutzfolie unter dem CPU-Halterahmen. Schließen Sie den Halterahmen aus Metall. Danach drücken Sie den Sockelhebel nach unten bis er einrastet.</span> \ <span>Retirez le film protecteur sous le cadre de support du processeur. Fermez le cadre de support rabaissez le levier du socket du processeur et enclenchez-le.</span> \ <span>Quite la hoja protectora de debajo del marco de soporte de la CPU. Ajustar el bastidor, bajar la palanca del zócalo y cerrar.</span> \ <span>保護シートをCPU固定プレートから取り外して下さい。</span> \ <span>金屬板を閉じ、レバーを下ろして固定します。</span> \ <span>Снимите защитную пленку с металлической пластины. Закройте металлическую пластину, опустите рычаг процессорного разъема и зафиксируйте.</span> \ <span>撕下金属载入板的保护膜。关上载入板, 将 CPU 的插槽拉杆压下并定位锁好。</span></div> <div></div> </div>

<div> <div><span>6. Spread thermal paste evenly on the CPU surface.</span> \ <span>取適量的散熱膏均勻的塗抹於 CPU 上。</span></div> <div><span>Tragen Sie Wärmeleitpaste gleichmäßig auf die CPU-Oberfläche auf.</span> \ <span>Appliquez la pâte thermique uniformément sur la surface du processeur.</span> \ <span>Extienda la pasta térmica regularmente sobre la superficie del CPU.</span> \ <span>CPUの表面に熱伝導グリスを塗布します。</span> \ <span>Нанесите термопасту равномерно на поверхность процессора.</span> \ <span>取适量的散熱膏均匀的涂抹于 CPU 上。</span></div> <div></div> </div>	<div> <div><span>6. Spread thermal paste evenly on the CPU surface.</span> \ <span>取適量的散熱膏均勻的塗抹於 CPU 上。</span></div> <div><span>Tragen Sie Wärmeleitpaste gleichmäßig auf die CPU-Oberfläche auf.</span> \ <span>Appliquez la pâte thermique uniformément sur la surface du processeur.</span> \ <span>Extienda la pasta térmica regularmente sobre la superficie del CPU.</span> \ <span>CPUの表面に熱伝導グリスを塗布します。</span> \ <span>Нанесите термопасту равномерно на поверхность процессора.</span> \ <span>取适量的散熱膏均匀的涂抹于 CPU 上。</span></div> <div></div> </div>
---	---

<div> <div><span>⚠ Please do not apply excess amount of thermal paste. 請勿塗抹過多的散熱膏於 CPU 上。</span></div> <div><span>Bitte verwenden Sie nicht übermäßig viel Wärmeleitpaste. Veuillez ne pas appliquer une trop grosse quantité de pâte thermique. No aplique una cantidad excesiva de compuesto térmico. 塗りすぎないように注意して下さい。</span> \ <span>Пожалуйста, не наносите избыточное количество термопасты. 请勿涂抹过多的散热膏于 CPU 上。</span></div> <div></div> </div>	<div> <div><span>⚠ Please do not apply excess amount of thermal paste. 請勿塗抹過多的散熱膏於 CPU 上。</span></div> <div><span>Bitte verwenden Sie nicht übermäßig viel Wärmeleitpaste. Veuillez ne pas appliquer une trop grosse quantité de pâte thermique. No aplique una cantidad excesiva de compuesto térmico. 塗りすぎないように注意して下さい。</span> \ <span>Пожалуйста, не наносите избыточное количество термопасты. 请勿涂抹过多的散热膏于 CPU 上。</span></div> <div></div> </div>
<div> <div><span>7. Screw the ICE module to the motherboard. Note to press down on the opposite diagonal corner while tightening each screw.</span> \ <span>鎖上熱導管四個切角上的固定螺絲, 將 ICE 散熱模組固定於主機板上。請按壓螺絲對角線端, 再依序鎖入固定。</span></div> <div><span>Verschrauben Sie das ICE-Modul mit dem Mainboard. Drücken Sie jeweils zwei diagonal entgegengesetzte Schrauben nach unten und schrauben diese fest.</span> \ <span>Vissez le module ICE à la carte mère. Lorsque vous revissez le module, veillez à exercer une pression sur la vis opposée.</span> \ <span>Atornille el módulo ICE a la placa base. Presione la esquina diagonal opuesta hacia abajo cuando apriete cada uno de los tornillos.</span> \ <span>マザーボードへICEモジュールにあるネジ (プッシュピン) を締めます。それぞれ押し込むようにしながら締めるようにします。</span> \ <span>Поместите модуль охлаждения ICE на процессор, выравнивая четы ре штифта и отверстия, поверните штифты вправо и нажмите на пр отивоположный по диагонали угол.</span> \ <span>锁上热导管四个切角上的固定螺丝, 将 ICE 散热模块固定于主机板上。请按压螺丝对角线端, 再依序锁入固定。</span></div> <div></div> </div>	<div> <div><span>7. Screw the ICE module to the motherboard. Note to press down on the opposite diagonal corner while tightening each screw.</span> \ <span>鎖上熱導管四個切角上的固定螺絲, 將 ICE 散熱模組固定於主機板上。請按壓螺絲對角線端, 再依序鎖入固定。</span></div> <div><span>Verschrauben Sie das ICE-Modul mit dem Mainboard. Drücken Sie jeweils zwei diagonal entgegengesetzte Schrauben nach unten und schrauben diese fest.</span> \ <span>Vissez le module ICE à la carte mère. Lorsque vous revissez le module, veillez à exercer une pression sur la vis opposée.</span> \ <span>Atornille el módulo ICE a la placa base. Presione la esquina diagonal opuesta hacia abajo cuando apriete cada uno de los tornillos.</span> \ <span>マザーボードへICEモジュールにあるネジ (プッシュピン) を締めます。それぞれ押し込むようにしながら締めるようにします。</span> \ <span>Поместите модуль охлаждения ICE на процессор, выравнивая четы ре штифта и отверстия, поверните штифты вправо и нажмите на пр отивоположный по диагонали угол.</span> \ <span>锁上热导管四个切角上的固定螺丝, 将 ICE 散热模块固定于主机板上。请按压螺丝对角线端, 再依序锁入固定。</span></div> <div></div> </div>

<div> <div><span>8. Connect the fan.</span> \ <span>連接風扇的電源接頭。</span></div> <div><span>Schließen Sie den Lüfterstecker an das Mainboard an. Branchez le connecteur de ventilateur. Enchufe el conector del ventilador.</span> \ <span>FANコネクタへコネクタを接続します。</span> \ <span>Подсоедините разъем вентилятора.</span> \ <span>连接风扇的电源接头。</span></div> <div></div> </div>	<div> <div><span>8. Connect the fan.</span> \ <span>連接風扇的電源接頭。</span></div> <div><span>Schließen Sie den Lüfterstecker an das Mainboard an. Branchez le connecteur de ventilateur. Enchufe el conector del ventilador.</span> \ <span>FANコネクタへコネクタを接続します。</span> \ <span>Подсоедините разъем вентилятора.</span> \ <span>连接风扇的电源接头。</span></div> <div></div> </div>
<div> <div><span>C. Memory Module Installation \ 安裝記憶體模組</span> \ <span>Installation der Speichermodule \ Installation de la mémoire vive</span> \ <span>Instalar el módulo de memoria \ メモリーの取り付け</span> \ <span>Установка модуля памяти \ 安装内存模块</span></div> <div></div> </div>	<div> <div><span>C. Memory Module Installation \ 安裝記憶體模組</span> \ <span>Installation der Speichermodule \ Installation de la mémoire vive</span> \ <span>Instalar el módulo de memoria \ メモリーの取り付け</span> \ <span>Установка модуля памяти \ 安装内存模块</span></div> <div></div> </div>
<div> <div><span>⚠ This motherboard does only support 1.2 V DDR4 SO-DIMM memory modules.</span> \ <span>本主機板僅支援 1.2 V DDR4 記憶體模組。</span></div> <div><span>Dieses Mainboard unterstützt nur 1,2 V DDR4 SO-DIMM Speichermodule. Carte mère compatible uniquement avec des modules mémoire de type 1,2 V DDR4 SO-DIMM.</span> \ <span>Esta placa base sólo soporta módulos de memoria 1,2 V DDR4 SO-DIMM. このメインボードは1.2 VのDDR4 メモリーモジュールのみ対応しています。Поддерживает только модуль памяти 1,2 V DDR4 SO-DIMM.</span> \ <span>本主机板仅支援1.2 V DDR4 内存模块。</span></div> <div></div> </div>	<div> <div><span>⚠ This motherboard does only support 1.2 V DDR4 SO-DIMM memory modules.</span> \ <span>本主機板僅支援 1.2 V DDR4 記憶體模組。</span></div> <div><span>Dieses Mainboard unterstützt nur 1,2 V DDR4 SO-DIMM Speichermodule. Carte mère compatible uniquement avec des modules mémoire de type 1,2 V DDR4 SO-DIMM.</span> \ <span>Esta placa base sólo soporta módulos de memoria 1,2 V DDR4 SO-DIMM. このメインボードは1.2 VのDDR4 メモリーモジュールのみ対応しています。Поддерживает только модуль памяти 1,2 V DDR4 SO-DIMM.</span> \ <span>本主机板仅支援1.2 V DDR4 内存模块。</span></div> <div></div> </div>

<div> <div><span>1. Locate the SO-DIMM slots on the motherboard.</span> \ <span>找到主機板上的 SO-DIMM 插槽。</span></div> <div><span>Lokalisieren Sie die SO-DIMM-Steckplätze auf dem Mainboard. Localisez le slot mémoire SO-DIMM sur la carte mère. Localice el zócalo SO-DIMM en la placa base. SO-DIMM にメモリーを取り付けます。</span> \ <span>Найдите SO-DIMM слот на мат плате.</span> \ <span>找到主机板上的 SO-DIMM 插槽。</span></div> <div></div> </div>	<div> <div><span>1. Locate the SO-DIMM slots on the motherboard.</span> \ <span>找到主機板上的 SO-DIMM 插槽。</span></div> <div><span>Lokalisieren Sie die SO-DIMM-Steckplätze auf dem Mainboard. Localisez le slot mémoire SO-DIMM sur la carte mère. Localice el zócalo SO-DIMM en la placa base. SO-DIMM にメモリーを取り付けます。</span> \ <span>Найдите SO-DIMM слот на мат плате.</span> \ <span>找到主机板上的 SO-DIMM 插槽。</span></div> <div></div> </div>
<div> <div><span>2. Align the notch of the memory module with the one of the relevant memory slot.</span> \ <span>將記憶體缺口對準 SO-DIMM 插槽上的凹槽, 並安裝於插槽上, 確認方向是否有誤。</span></div> <div><span>Richten Sie die Kerbe des Speichermoduls nach der Nase des Speichersockels aus. Alinee la muesca del módulo mémoire sur celle du slot DIMM. Alinee la encoche du módulo de memoria con la del zócalo de memoria. 下図の通り、切り欠けに合わせます。</span> \ <span>Совместите выемку в модуле памяти с выступом в разъеме. 将内存缺口对准 SO-DIMM 插槽上的凹槽。将内存安装于插槽上, 并确认方向是否有误。</span></div> <div></div> </div>	<div> <div><span>2. Align the notch of the memory module with the one of the relevant memory slot.</span> \ </div></div>



- 01. USB 3.2 Gen2 Type-A Ports  
 USB 3.2 Gen2 Type-A 連接埠  
 USB 3.2 Gen2 Typ-A Anschlüsse  
 Prises USB 3.2 Gen2 Type-A  
 Puertos USB 3.2 Gen2 tipo A  
 USB 3.2 Gen2 Type-A ポート  
 USB 3.2 Gen2 Type-A порты  
 USB 3.2 Gen2 Type-A 端口
- 02. USB 3.2 Gen1 Type-A Ports  
 USB 3.2 Gen1 Type-A 連接埠  
 USB 3.2 Gen1 Typ-A Anschlüsse  
 Prises USB 3.2 Gen1 Type-A  
 Puertos USB 3.2 Gen1 tipo A  
 USB 3.2 Gen1 Type-A ポート  
 USB 3.2 Gen1 Type-A порты  
 USB 3.2 Gen1 Type-A 端口
- 03. USB 3.2 Gen1 Type-C Port  
 USB 3.2 Gen1 Type-C 連接埠  
 USB 3.2 Gen1 Typ-C Anschluss  
 Prise USB 3.2 Gen1 tipo C  
 Puerto USB 3.2 Gen1 tipo C  
 USB 3.2 Gen1 Type-C ポート  
 USB 3.2 Gen1 Type-C порт  
 USB 3.2 Gen1 Type-C 端口
- 04. SD Card Reader (Option)  
 SD 讀卡機 (選配)  
 SD Cardreader (optional)  
 Lecteur de carte mémoire SD (optionnel)  
 Lector de tarjetas sd (opcional)  
 SDカードリーダー (オプション)  
 Считыватель SD-карт (опция)  
 SD卡片阅读器 (可选)
- 05. Power Button \ 電源按鈕  
 Ein-/Aus-Button  
 Bouton d'alimentation  
 Botón de encendido  
 電源スイッチ  
 Кнопка питания \ 电源按钮
- 06. Hard disk drive LED  
 硬碟指示燈 \ Festplatten-LED  
 Indicateur disque dur  
 Diodo LED del disco duro  
 ハードディスクドライブ LED  
 LED-индикатор жесткого диска  
 硬盘指示灯

- 07. Power LED  
 電源指示燈  
 Betriebsanzeige-LED  
 Indicateur alimentation  
 LED de encendido  
 電源 LED  
 LED-индикатор питания  
 电源指示灯
- 08. Headphones  
 耳機孔  
 Kopfhörer-Ausgang  
 Prise casque  
 Auriculares  
 イヤホン  
 Гнездо для наушников  
 耳机孔
- 09. MIC-in  
 麥克風插孔  
 Mikrofon-Eingang  
 Entrée Micro  
 Micrófono  
 マイク  
 Гнездо для микрофона  
 麦克风插孔
- 10. SATA connector  
 SATA 排線插座  
 SATA-Anschluss  
 Connecteur SATA  
 Base de conexiones SATA  
 SATA コネクタ  
 SATA разъем  
 SATA 接口

- 11. DDR4 SO-DIMM slots  
 DDR4 SO-DIMM 插槽  
 DDR4 SO-DIMM Steckplätze  
 Slot mémoire SO-DIMM DDR4  
 zócalo de DDR4 SO-DIMM  
 DDR4 SO-DIMM スロット  
 Слот памяти DDR4 SO-DIMM  
 DDR4 SO-DIMM 插槽
- 12. Processor socket LGA1700  
 LGA1700 處理器插座  
 Sockel für LGA1700-CPU's  
 Socket Processeur LGA1700  
 Zócalo LGA1700 de CPU  
 プロセッサソケット LGA1700  
 Разъем процессора LGA1700  
 LGA1700 处理器插座
- 13. Intel® H670 Chipset  
 Intel® H670 晶片組  
 Intel® H670 Chipsatz  
 Intel® H670 Chipset  
 Intel® H670 Conjunto de chips  
 Intel® H670 チップセット  
 Набор микросхем Intel® H670  
 Intel® H670 芯片組
- 14. M.2 2242/2260/2280 M key slot  
 M.2 2242/2260/2280 M key 插槽  
 M.2-2242/2260/2280 (M) Steckplatz  
 Emplacement M.2 2242/2260/2280 M  
 Ranura M.2 2242/2260/2280 M  
 M.2 2242/2260/2280 M キーソケット  
 Слот M.2 2242/2260/2280 M ключ  
 M.2 2242/2260/2280 M key 插槽

- 15. M.2 2230 E key slot (supports CNVi)  
 M.2 2230 E key 插槽 (支援 CNVi)  
 M.2-2230 (E) Steckplatz (unterstützt CNVi)  
 Emplacement M.2 2230 E (compatible CNVi)  
 Ranura M.2 2230 E (soporta CNVi)  
 M.2 2230 E キーソケット (CNVi 対応)  
 Слот M.2 2230 E ключ (поддержка CNVi)  
 M.2 2230 E key 插槽 (支持 CNVi)
- 16. Power Jack (DC IN) \ DC 電源連接埠  
 DC-Stromanschluss \ Prise alimentation DC  
 Conexión de la fuente de alimentación (DC)  
 Гнездо для подключения питания (DC IN)  
 DC 電源ポート \ 电源插孔 (直流电输入)
- 17. HDMI 2.0 Ports  
 HDMI 2.0 連接埠  
 HDMI 2.0-Anschlüsse  
 Prises HDMI 2.0  
 Puertos HDMI 2.0  
 HDMI 2.0 ポート  
 HDMI 2.0 порты  
 HDMI 2.0 端口
- 18. DisplayPort  
 DisplayPort 連接埠  
 DisplayPort Anschlüsse  
 Prises DisplayPort  
 DisplayPort  
 Дисплейпорт  
 DisplayPort  
 DisplayPort 端口
- 19. LAN Ports  
 網路連接埠  
 Netzwerk-Anschlüsse  
 Prises LAN  
 Puertos LAN  
 LAN ポート  
 Сетевые LAN-порты  
 LAN 端口
- 20. Battery connector  
 電池插座  
 Anschluss für die Batterie  
 Connecteur de batterie  
 Conector de batería  
 Батарея-конектор  
 Разъем для батареи  
 電池接头

**J1** Fan connector \ 風扇連接埠 \ Lüfteranschluss  
 Connecteur ventilateur \ Conector del ventilador  
 FAN コネクタ \ Разъем вентилятора \ 風扇插座

CPU_FAN1	
Pin	Signal Name
1	GND
2	+12V
3	FAN_IO
4	FAN_CTL

**J2** VGA connector \ VGA 插座 \ VGA-Anschluss \ Connecteur VGA  
 Conector del VGA \ VGA コネクタ \ VGA разъем \ VGA 接头

CN3					
Pin	Signal Name	Pin	Signal Name	Pin	Signal Name
1	GND	2	GND	3	VGA_SCL
4	GND	5	VGA_SDA	6	GND
7	GND	8	GND	9	CRT_VSYNC
10	GND	11	CRT_HSYNC	12	GND
13	GND	14	GND	15	BOUT-O
16	VGA_PWR	17	GOUT-O	18	VGA_PWR
19	ROUT-O	20	VGA_PWR		

**J3** COM 1 & COM 2 power switch  
 COM 1 & COM 2 電源切換  
 Konfiguration von COM 1 & COM 2  
 Gestion de l'alimentation des COM 1 & COM 2  
 COM 1 & COM 2 Enchufe Interruptor  
 Переключатель питания COM 1 & COM 2  
 COM 1 & COM 2 电源切换

COM PORT Pin 9 "Ring Indicator" (RI) configuration:  
 Configure COM 1 with the first jumper:  
 - Short Pin 1-2: Pin 9 = RI1 (default)  
 - Short Pin 5-7: Pin 9 = +5V  
 - Short Pin 7-9: Pin 9 = +12V

Configure COM 2 with the second jumper:  
 - Short Pin 3-4: Pin 9 = RI2 (default)  
 - Short Pin 6-8: Pin 9 = +5V  
 - Short Pin 8-10: Pin 9 = +12V

JP2			
Pin	Signal Name	Pin	Signal Name
1	XRI1	2	COM_-XRI1
3	XRI2	4	COM_-XRI2
5	+5P0V_S0	6	+5P0V_S0
7	COM1_PWR	8	COM2_PWR
9	+12P0V_S0	10	+12P0V_S0

**J4** COM port \ COM 插座 \ COM-Ausgang \ Port COM  
 Puerto COM \ COM 埠 \ COM-ports \ COM 接头

COM2			
Pin	Signal Name	Pin	Signal Name
1	DCD	6	DSR
2	RX	7	RTS
3	TX	8	CTS
4	DTR	9	RI
5	GND	10	NULL

**J5** COM port  
 COM 插座  
 COM-Ausgang  
 Port COM  
 Puerto COM  
 COM 埠  
 COM-ports  
 COM 接头

COM1			
Pin	Signal Name		
	RS232	RS422	RS485
1	DCD	TXD-	DATA-
2	RXD	TXD+	DATA+
3	TXD	RXD+	NA
4	DTR	RXD-	NA
5	GND	GND	GND
6	DSR	NA	NA
7	RTS	NA	NA
8	CTS	NA	NA
9	RI	NA	NA
10	NULL	NULL	NULL

**J6** AC auto power-on  
 回電自動開啟電源  
 Automatisches Einschalten bei Spannungsversorgung  
 Démarrage automatique à la mise sous tension  
 Encendido automático con suministro de corriente  
 AC自動電源オン  
 回电自动开启电源  
 Восстановление AC Авто включение

JP1	
Pin	Signal Name
1	AMP+
2	GND

Open (enabled)      Short (disabled)

**J7** USB 2.0 cable connector  
 USB 2.0 排線插座  
 Anschluss für USB 2.0-Kabel  
 Connecteur câble USB 2.0  
 Conexión para cable USB 2.0  
 USB 2.0ケーブルコネクタ  
 Разъем USB 2.0-кабеля  
 USB 2.0 扁平电缆插座

CN6	
Pin	Signal Name
1	GND (Power Ground)
2	Data+ (USB 2.0 Data pin)
3	Data- (USB 2.0 Data pin)
4	VBUS (USB power 5.0V/0.5A)

**J8** Clear CMOS & power button & +5V  
 清除 CMOS & 電源按鈕 & +5V  
 Clear CMOS & Einschalt-Button & +5V  
 Reset CMOS & Bouton d'alimentation & +5V  
 Clear CMOS & Botón de encendido & +5V  
 CMOSクリア & 電源スイッチ & +5V  
 Сброс CMOS, внешняя кнопка питания, +5 V  
 清除 CMOS & 电源按钮 & +5V

SW1	
Pin	Signal Name
1	RTC Reset
2	VCC_AUX (Power source 5.0V/0.5A) (Disable in Eup mode)
3	GND
4	Power SW

PCB